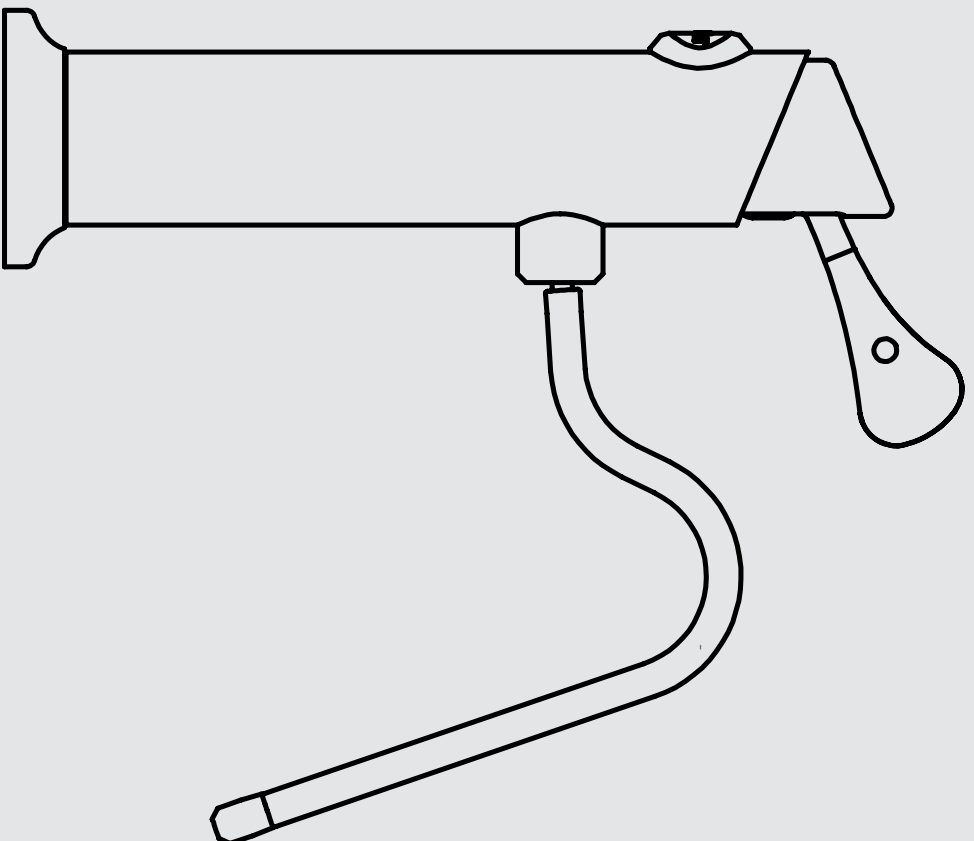


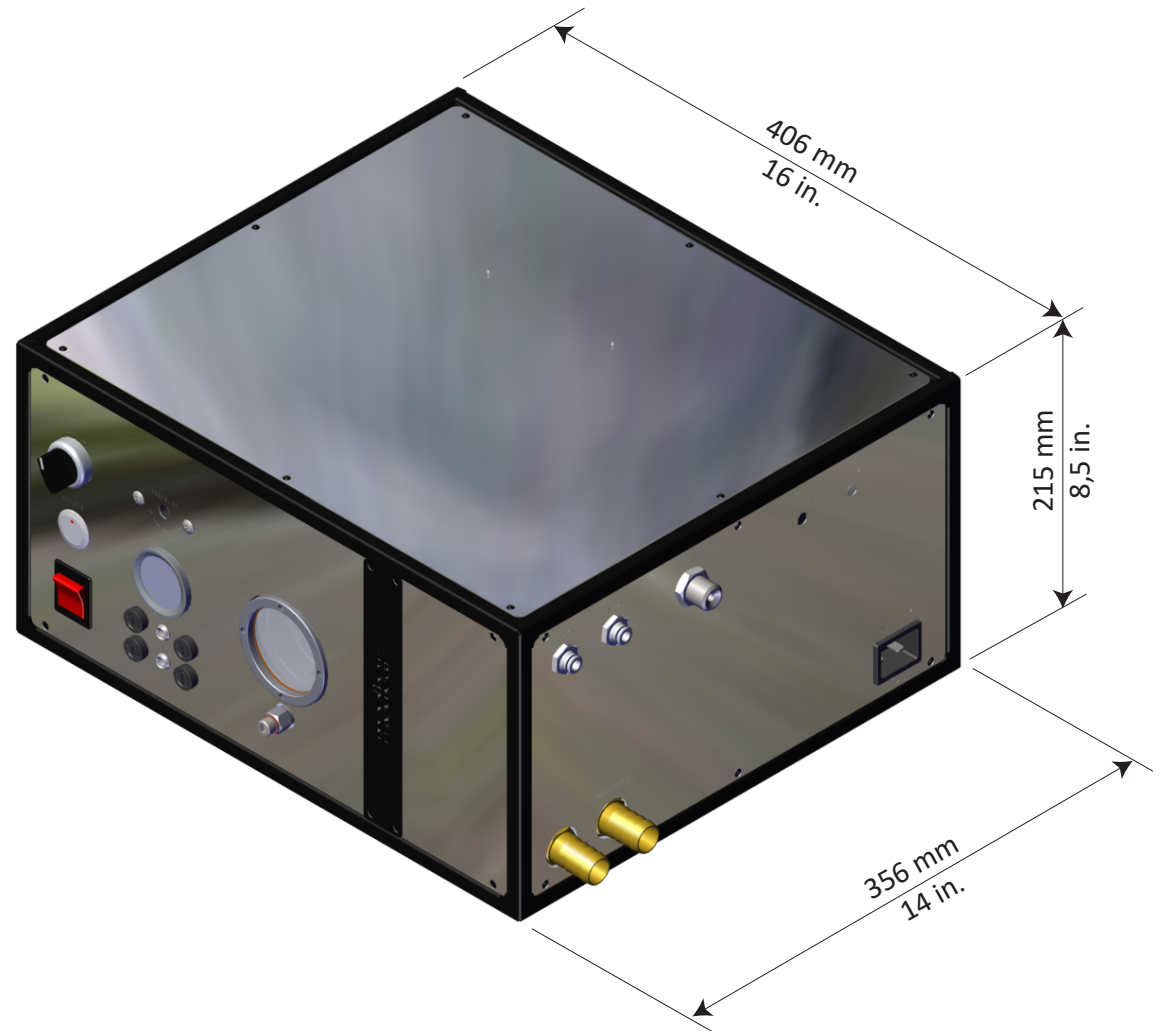
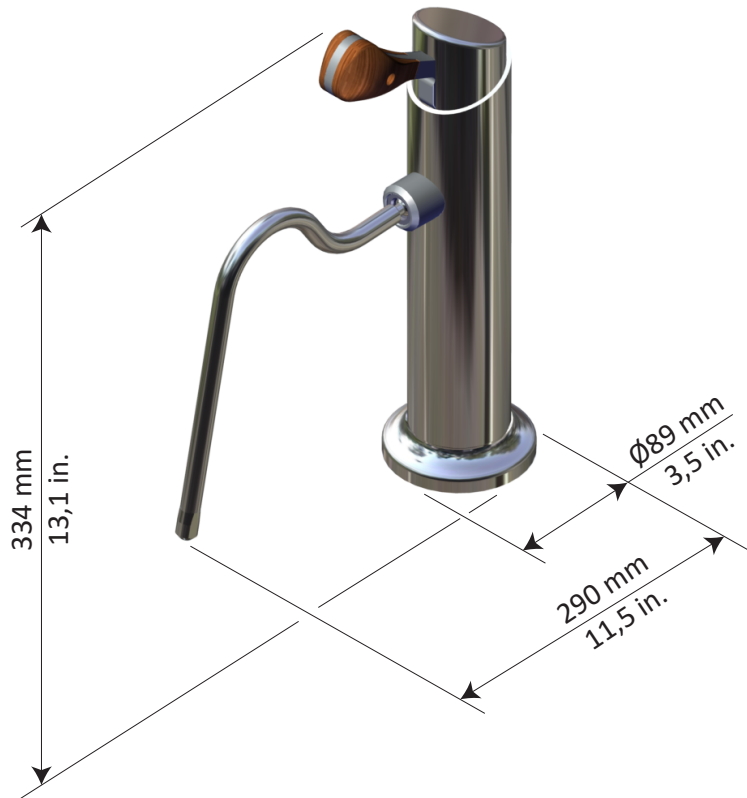
# parts catalog modbar steam





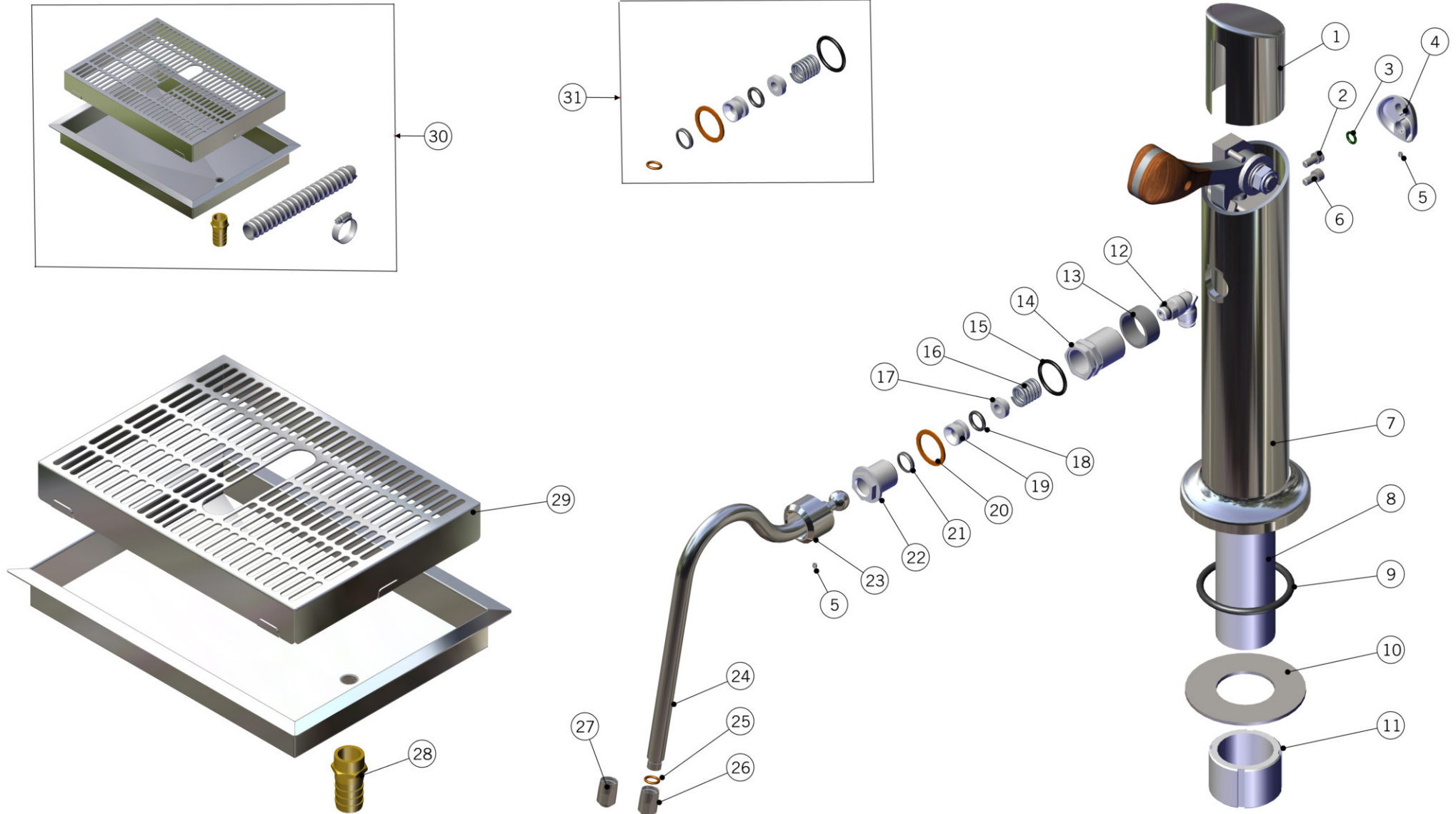
## INDEX

		Pag.	Ver.
Specifications	Caratteristiche Tecniche	4	1.1
Steam Tap System	Gruppo Erogatore	6	1.1
Steam Module System	Modulo	10	1.1
Electrical System and Pump	Impianto Elettrico e Pompa	22	1.1
Hose and Accessories	Tubi e Accessori	24	1.1



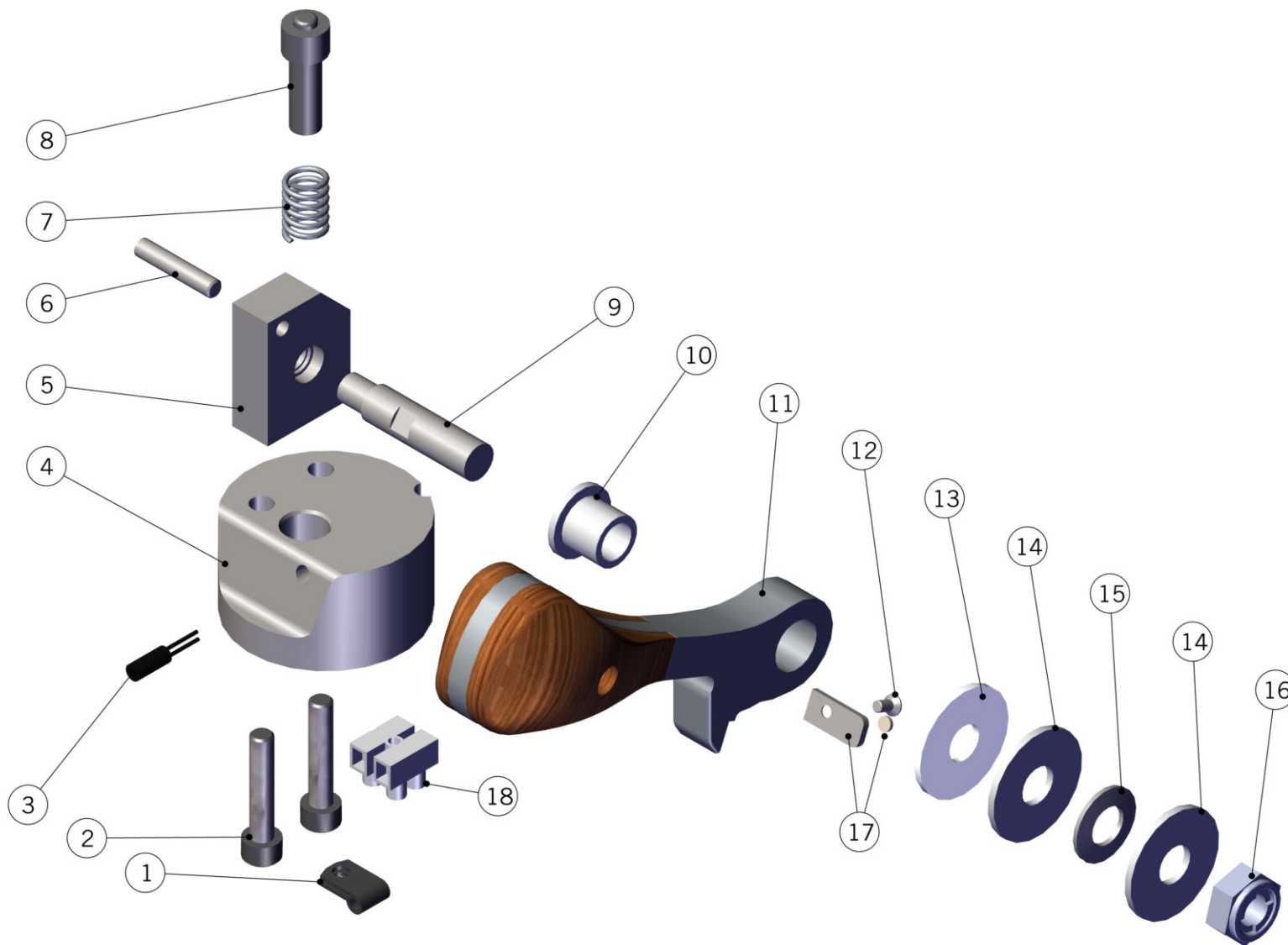
<b>Caratteristiche Tecniche</b>	Electrical Voltage	V	220-240V
	Weights	kg	18 (Module) 3,5 (Tap)
		lb	39,7 (Module) 7,7 (Tap)
	Wattage	W	3306
	Required Available Amperage	A	14,4
	Frequency	Hz	50/60
	Capacity	liters	4,6

# STEAM TAP SYSTEM



1	C.1.437	COVER STEAM TAP	COPERTURA STEAM TAP
2	I.1.119	SCREW M5X10 SOCKET CAP S/S MODBAR	VITE M5X10 TC A BRUGOLA INOX MODBAR
3	H.1.006	ORING 2025, 105, 2-010 VITON	O-RING PER CANOTTO
4	D.3.020	LOGO MODBAR STEAM	LOGO MODBAR STEAM
5	I.1.130	SOCKET GRUB SCREW M3X3 S/S	GRANO M3X3 A BRUGOLA INOX
6	I.1.005	SCREW M5X10 SOCKET CAP S/S A2	VITE M5X10 TC A BRUGOLA INOX A2
7	A.3.009	STEAM DISPENSER TAP NEW STEAM	CORPO EROGATORE NEW STEAM
8	M-0074-01	THREADED TUBE	THREADED TUBE
9	M-0151-01	O-RING, STEAM FONT, BASE SEAL, NITRILE,	O-RING BASE STEAM TAP
10	M-0076-01	"18-8 SS GENERAL PURPOSE FLAT WASHER 1-1	RONDELLONE DI COMMERCIO
11	M-5002-01	1.5 -12 MOUNTING NUT, 6061 ALUMINUM	DADO A DISEGNO DI FISSAGGIO AL TAVOLO
12	A.7.013	FITTING PUSH-IN 90° 6-G1/8M PPSU	RACCORDO RAPIDO 90° 6-G1/8M PPSU
13	F.1.138.01	WASHER INSULATING MODBAR NEW STEAM	RONDELLA ISOLANTE MODBAR NEW STEAM COND.
14	A.5.103	SPRING FITTING MODBAR NEW STEAM	SEDE MOLLA MODBAR NEW STEAM
15	H.1.039	O-RING 2,62X21,89 75SHA MODBAR STEAM TAP	O-RING 2,62X21,89 75SHA MODBAR STEAM TAP
16	I.1.131	SPRING COMPRESSION 2,2X14,6X22,5 S/S	MOLLA A COMPRESSIONE 2,2X14,6X22,5 INOX
17	F.3.113	SPACER JOINT MODBAR NEW STEAM	DISTANZIALE GIUNTO MODBAR NEW STEAM
18	H.1.004	O-RING 10,77X2,62 EPDM 85 SHA	O-RING 10.77X2.62 EPDM 85 SHA
19	H.2.003	PTFE STEAM WAND SEAL	GUARN. PTFE PER SNODO TUBO VAP
20	L260/1A	WASHER 21X27X1,5 COPPER	RONDELLA 21X27X1,5 RAME
21	F.1.131	STEAM WAND BUSHING NEW STEAM	BOCCOLA LANCIA VAPORE NEW STEAM
22	A.2.113	MODBAR STEAM WAND HOLDER STEEL	SEDE GIUNTO SFERICO STEAM
23	C.1.441	ESTETICH PLATE MODBAR STEAM TAP	PLACCA ESTETICA MODBAR STEAM TAP
24	A-6004-02	PERFORMANCE TOUCH MODBAR STEAM WAND	PERFORMANCE TOUCH MODBAR LANCIA VAPORE
25	H.1.027	O-RING 1,78X7,65 VITON 75 SHA	O-RING 1,78X7,65 VITON 75 SHA
26	A.5.050	PERFORMANCE TOUCH STEAM TIP	SPRUZZATORE VAPORE PERFORMANCE TOUCH
27	A.5.054.01	STEAM TIP PERFORMANCE TOUCH 1,2MM	SPRUZZATORE VAPORE PERFORMANCE TOUCH 1,2
28	L037/2PGR	HOSE HOLDER WITH 20 MM. HOLE	PORTAGOMMA DM.MM 20 ES.22
29	C.1.410	GRID DRAIN MODBAR STEAM	GRIGLIA SCARICO MODBAR STEAM
30	1100	TRAY DRAIN MODBAR STEAM COMPLETE	BACINELLA SCARICO MB VAPORE COMPLETA
31	1101	SERVICE KIT MODBAR WAND NEW STEAM	KIT MANUTENZIONE LANCIA NUOVO VAPORE MB
<b>Item</b>	<b>Part number/Codice</b>	<b>Description</b>	<b>Descrizione</b>

# STEAM TAP SYSTEM

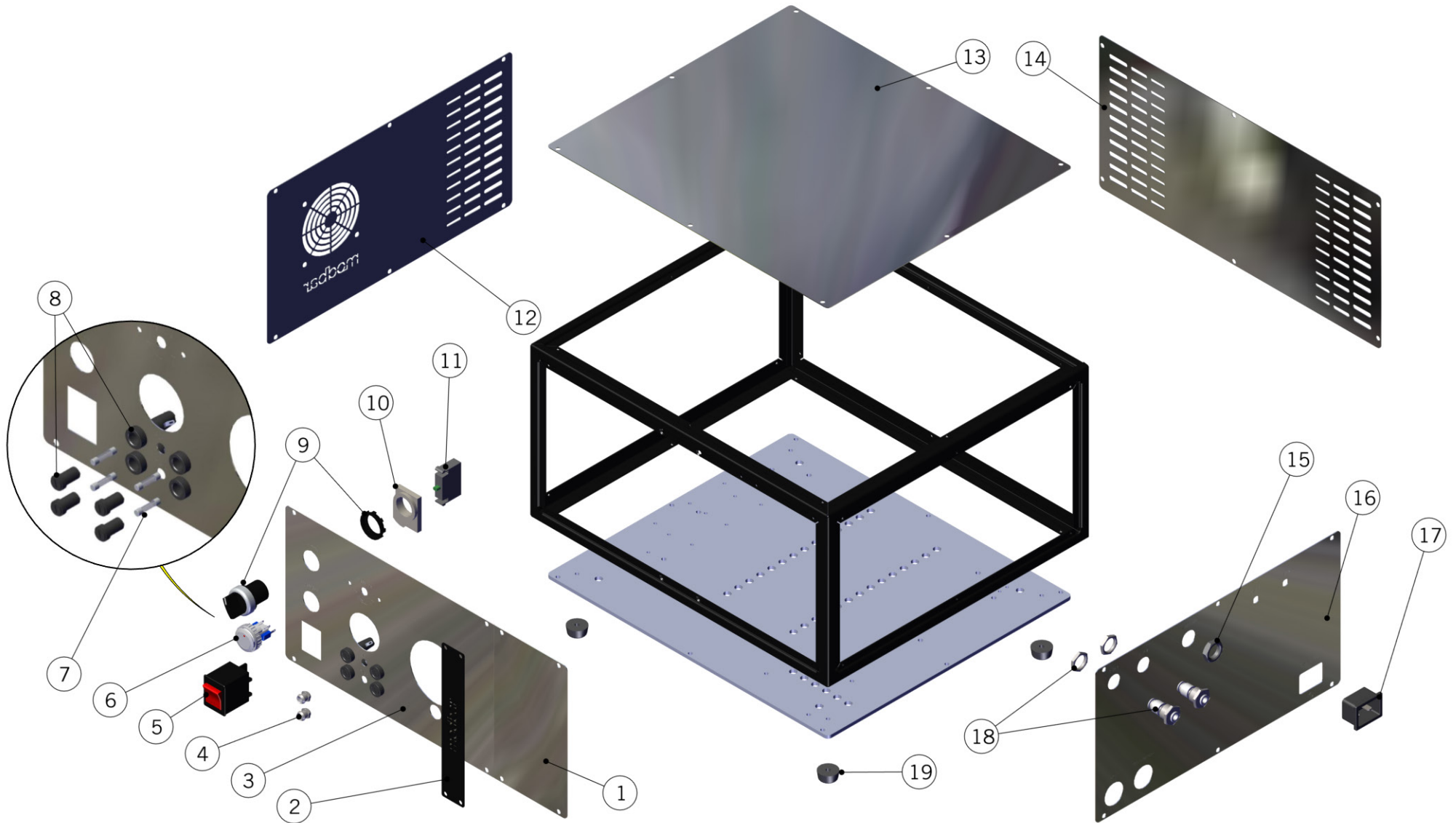




## New Steam Tap System

1	F.1.136	CABLE HOLDER STEAM TAP	FERMACAVO STEAM TAP
2	I.1.013	SCREW M6X30 SOCKET CAP GALVANIZED	VITE M6X30 TC A BRUGOLA ZINCATO
3	E-0139-01	REED SWITCH	REED SWITCH
4	C.1.412	BASE FOR LEVER ACTIVATION BRACKET STEAM	BASE PER STAFFA ATTIVAZIONE LEVA STEAM
5	C.1.411	BRACKET ACTIVATION MODBAR STEAM	STAFFA ATTIVAZIONE MODBAR STEAM
6	I.1.052	SOCKET GRUB SCREW M5X25 S/S A2	GRANO M5X25 A BRUGOLA INOX A2
7	M-6019-01	STEAM VALVE SPRING	STEAM VALVE SPRING
8	F.1.124	PLUMBER LEVER ACTIVATION NEW STEAM	PISTONE ATTIVAZIONE LEVA NEW STEAM
9	F.3.097	PIVOT FOR ACTIVATION LEVER MODBAR	PERNO STAFFA ATTIVAZIONE MODBAR
10	F.4.014	CAM BUSHING PTFE MODBAR LEVER	BOCCOLA PTFE LEVA ATTIVAZIONE MODBAR
11	C.4.005.WW	TAP HANDLE ASSEMBLY MODBAR NEW STEAM	MANIGLIA ATTIVAZIONE MODBAR NEW STEAM
12	I.1.060	SCREW M3X6 PHILLIPS COUNTERSUNK S/S A2	VITE M3X6 TS A CROCE INOX A2
13	F.1.032	LOW TEFLON WASHER PADDLE EP	RONDELLA TEFLON BASSA PADDLE EP
14	I.1.033	WASHER 10,7X30X2 S/S A2	RONDELLA 10,7X30X1,8 INOX A2
15	I.5.003	BELLEVILLE SPRING 10X20X1,3	MOLLA A TAZZA 10X20X1,3
16	I.1.118	NUT M10 H8,2 WR17 S/S A2 LOCKNUT	DADO M10 H8,2 CH17 INOX A2 AUTOBLOCCANTE
17	988	MAGNET KIT MODBAR STEAM	KIT MAGNETE MODBAR VAPORE
18	E-0115-01	TERMINAL BLOCK	TERMINAL BLOCK
<b>Item</b>	<b>Part number/Codice</b>	<b>Description</b>	<b>Descrizione</b>

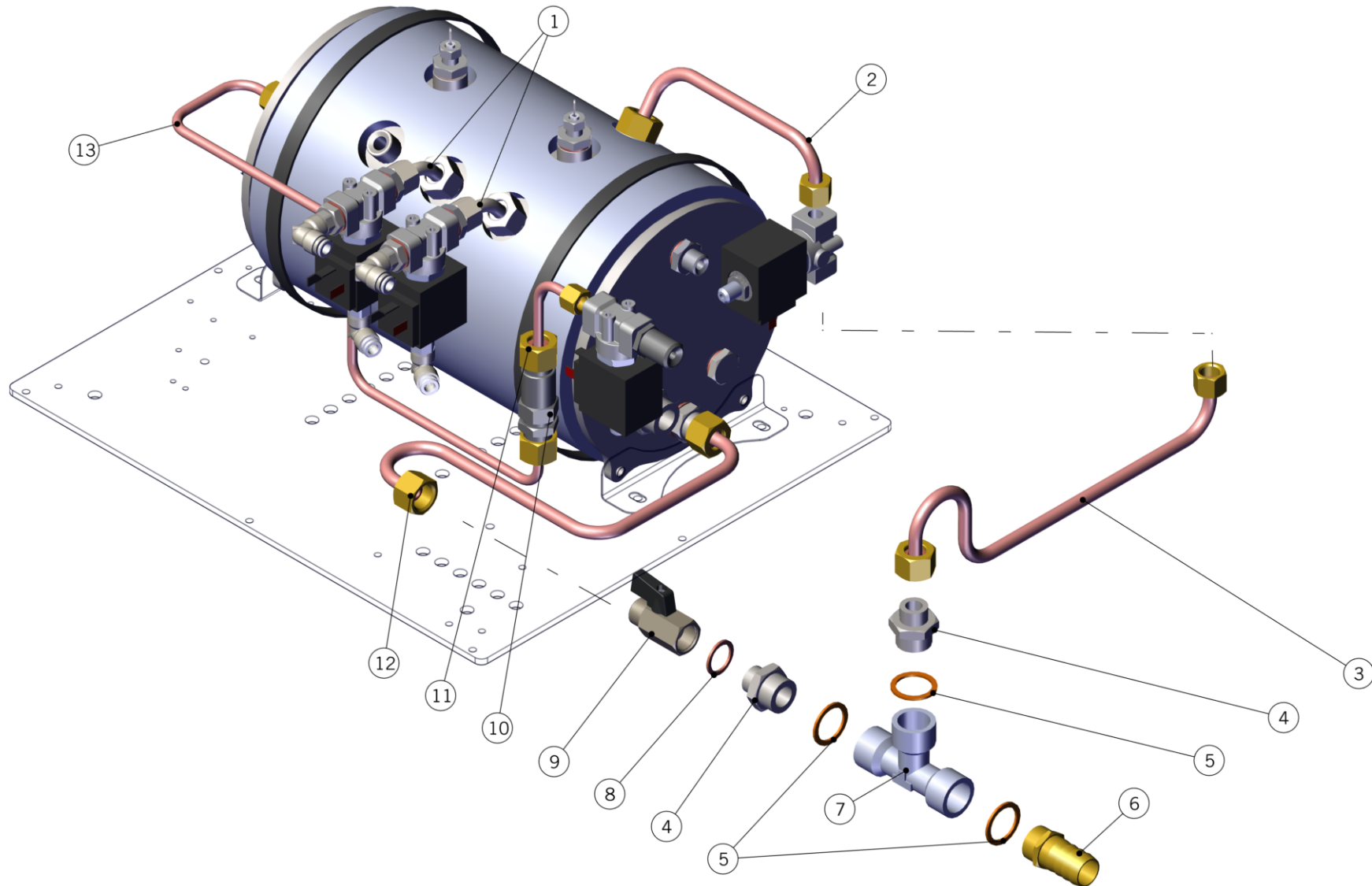
# STEAM MODULE SYSTEM - BODY PANEL ASSEMBLY



# STEAM MODULE SYSTEM - BODY PANEL ASSEMBLY

<b>Carrozeria</b>	1	C.1.385	PANEL FRONTAL RIGHT MODULE ESPRESSO	PANNELLO FRONTALE DESTRO MODULO ESPRESSO
	2	C.1.386	PANEL FRONT LOGO MODBAR ESPRESSO	PANNELLO FRONTALE LOGO MODBAR ESPRESSO
	3	C.1.407	STEAM, FRONT LEFT PANEL	PANNELLO FRONTALE SINISTRO MODULO VAPORE
	4	E.4.045	RED LED LIGHT + LED LIGHT HOLDER + WIRE	LED ROSSO + PORTA LED + CAVO
	5	E.2.065	SWITCH I-O	INTERRUTTORE I-O
	6	E.2.041	S/S SWITCH W/RED LED	INTERRUTTORE INOX C/LED ROSSO
	7	E.2.003	UL FUSE 2A 250V.	FUSIBILE UL 2A 250V.
	8	E.2.004	UL FUSE HOLDER	PORTAFUSIBILE UL
	9	E-5011-01	Selector 2 position	selettore a due posizioni
	10	E-5012-01	Contacts support	Supporto contatti
	11	E-0130-01	CONTACT BLOCK	CONTACT BLOCK
	12	C.1.413.SX	PANEL LEFT SIDE STEAM MODULE	PANNELLO LATERALE SX MODULO VAPORE
	13	M-5014-01	Panel, Top	Pannello chiusura superiore
	14	C.1.387	BACK PANEL ESPRESSO MODULE	PANNELLO POSTERIORE MODULO ESPRESSO
	15	L183/1.01	NUT G3/8 H6 CH21 BRASS TREATED	DADO G3/8 H6 CH21 OTTONE TRATTATO
	16	C.1.406	STEAM, RIGHT SIDE PANEL	PANNELLO LATERALE DESTRO MODULO VAPORE
	17	E-0108-01	POWER INLET ADAPTOR	POWER INLET ADAPTOR
	18	A.7.014	FITTING PUSH-IN STRAIGHT 6-6 PPSU	RACCORDO RAPIDO DRITTO 6-6 PPSU
	19	5.120	FOOT. 3/4 DIA RUBBER	FOOT. 3/4 DIA RUBBER
	<b>Item</b>	<b>Part number/Codice</b>	<b>Description</b>	<b>Descrizione</b>

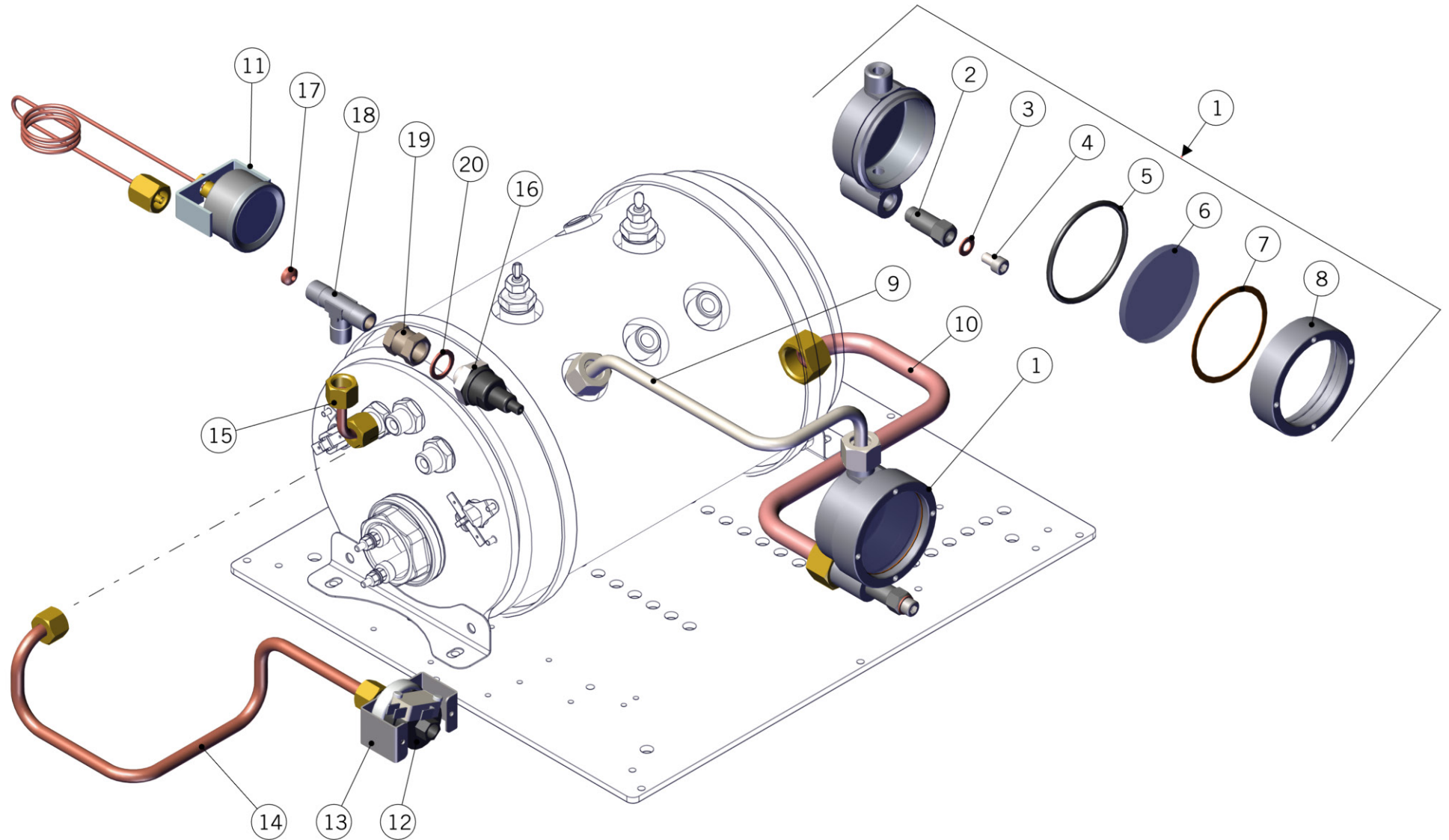
# STEAM MODULE SYSTEM - HYDRAULIC ASSEMBLY



**Impianto Idraulico**

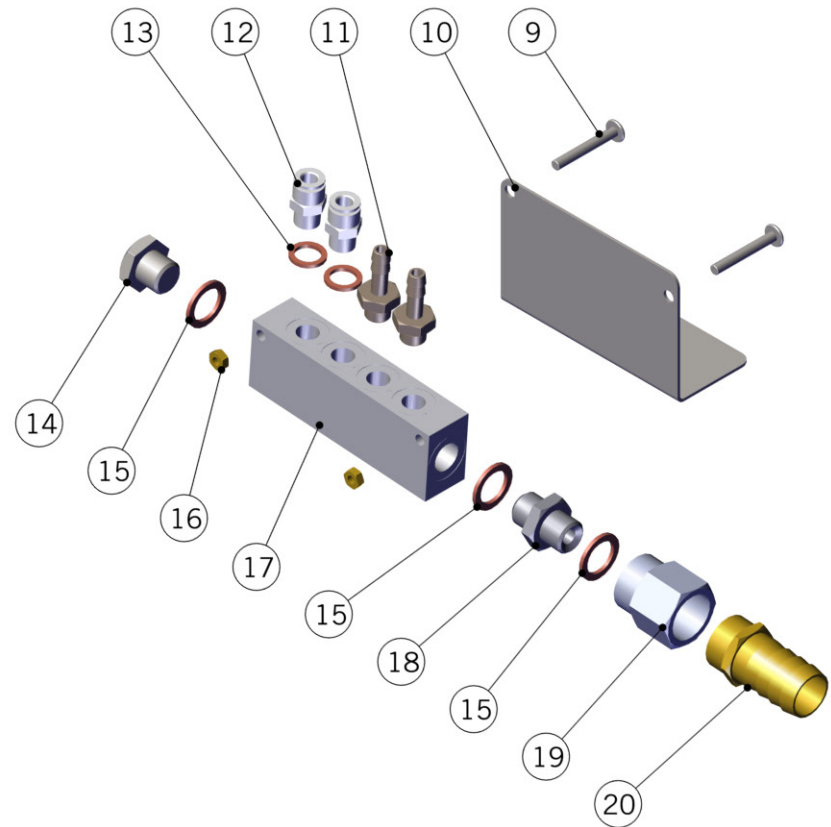
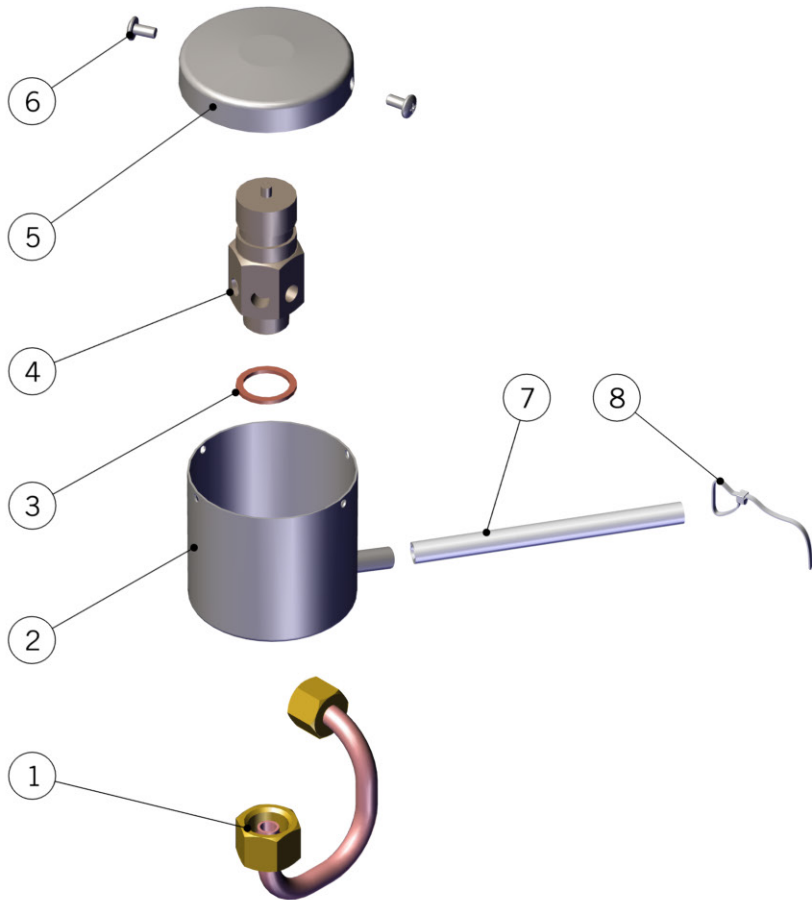
1	T.1.242	TUBE STEAM BOILER - SOLENOID VALVE	TUBO CALDAIA VAPORE - ELETTROVALVOLA
2	T.1.248	TUBE STEAM BOILER - REFRESH SV.	TUBO CALDAIA VAPORE - EV REFRESH
3	T.1.246	TUBE SV. REFRESH - DRAIN BOX	TUBO EV. REFRESH - POZZETTO DI SCARICO
4	A.2.112	NIPPLE G3/8M-G1/2M WR25 BRASS TR.	NIPPLO G3/8M-G1/2M CH25 OTTONE TR.
5	L260/1A	WASHER 21X27X1,5 COPPER	RONDELLA 21X27X1,5 RAME
6	L037/2PGR	HOSE HOLDER WITH 20 MM. HOLE	PORTAGOMMA DM.MM 20 ES.22
7	A.1.030	T FITTING G 1/2 F	RACCORDO A T G 1/2 F
8	L180/1	WASHER 22X17X1,5 COPPER	RONDELLA 17X22X1,5 RAME
9	L164.02	BALL VALVE G3/8M-G3/8F BRASS TREATED	RUBINETTO A SFERA G3/8M-G3/8F OTTONE TR.
10	L032/P.01	CHECK VALVE G3/8M TREATED	VALVOLA DI RITEGNO G3/8M TRATTATA
11	T.1.250	TUBE SV. WATER INLET - CHECK VALVE	TUBO EV. RIEMPIMENTO - V. RITEGNO
12	T.1.245	TUBE STEAM BOILER - DRAIN	TUBO CALDAIA VAPORE - SCARICO
13	T.1.258	TUBE CHECK VALVE - STEAM BOILER	TUBO V. RITEGNO - CALDAIA VAPORE
<b>Item</b>	<b>Part number/Codice</b>	<b>Description</b>	<b>Descrizione</b>

# STEAM MODULE SYSTEM - HYDRAULIC ASSEMBLY



1	L120_C.02	COMPLETE SIGHT GLASS	LIVELLO COMPLETO
2	L120/1CR	SIGHT GLASS DRAIN FITTING	RACCORDO SVUOTAGGIO CROMATO
3	L120/2A	WASHER 6,3X12X1 COPPER	RONDELLA 6,3X12X1 RAME
4	L120/2	SCREW M6X10 SOCKET CAP S/S A2	VITE M6X10 TC A BRUGOLA INOX A2
5	L122/A	SIGHT GLASS VITON O-RING 8-162	GUARNIZIONE OR 8-162 VITON
6	L122.01	SIGHT GLASS, GLASS D 61,5 THK 5	VETRO LIVELLO DM.61.5X5SPESS/SIGHT GLASS
7	L122/B	SIGHT GLASS GASKET 62x55x0,5	GUARNIZIONE PIANA 62X55X0.5
8	L121	SIGHT GLASS CHROME BEZEL	GHIERA LIVELLO CROMATA
9	T.1.243	TUBE STEAM BOILER - SIGHT GLASS UP	TUBO CALDAIA VAPORE - OBLO' LIVELLO ALTO
10	T.1.244	TUBE STEAM BOILER - LOWER SIGHT GLASS	TUBO CALDAIA VAPORE - OBLO' LIVELLO INF.
11	E.3.024	PRESSURE GAUGE 0-3 W/CAPILLARY WELDED	MANOMETRO 0-3 C/CAPILLARE SALDATO
12	L271.01	PRESSURESTAT	PRESSOSTATO
13	C.1.408	BRACKET PRESSURE SWITCH MODBAR STEAM	STAFFA PRESSOSTATO MODBAR STEAM
14	T.1.247	TUBE STEAM BOILER - PRESSURE STAT	TUBO CALDAIA VAPORE - PRESSOSTATO
15	T.1.017	TUBE H2O TEE - THERMOSTATIC VALVE GB5	TUBO T H2O - VALVOLA TERMOSTATICA GB5
16	B.2.029	VALVE VACUUM BREAKER SMA G1/4 S/S	VALVOLA ANTIDEPRESSIONE SMA G1/4 INOX
17	L137/3	FERRULE 3,5X11X5 T5	GHIANDINA 3,5X11X5 T5
18	A.2.002.01	TEE FITTING R1/4M WR13 BRASS TREATED	RACCORDO A T R1/4M CH13 OTTONE TRATT.
19	A.2.003.01	FITTING G1/4F-G1/4F WR17 BRASS TREATED	RACCORDO G1/4F-G1/4F CH17 OTTONE TRATT.
20	L100/1A	WASHER 13,5X19X1,5 COPPER	RONDELLA 13,5X19X1,5 RAME
<b>Item</b>	<b>Part number/Codice</b>	<b>Description</b>	<b>Descrizione</b>

# STEAM MODULE SYSTEM - FITTING AND VALVES

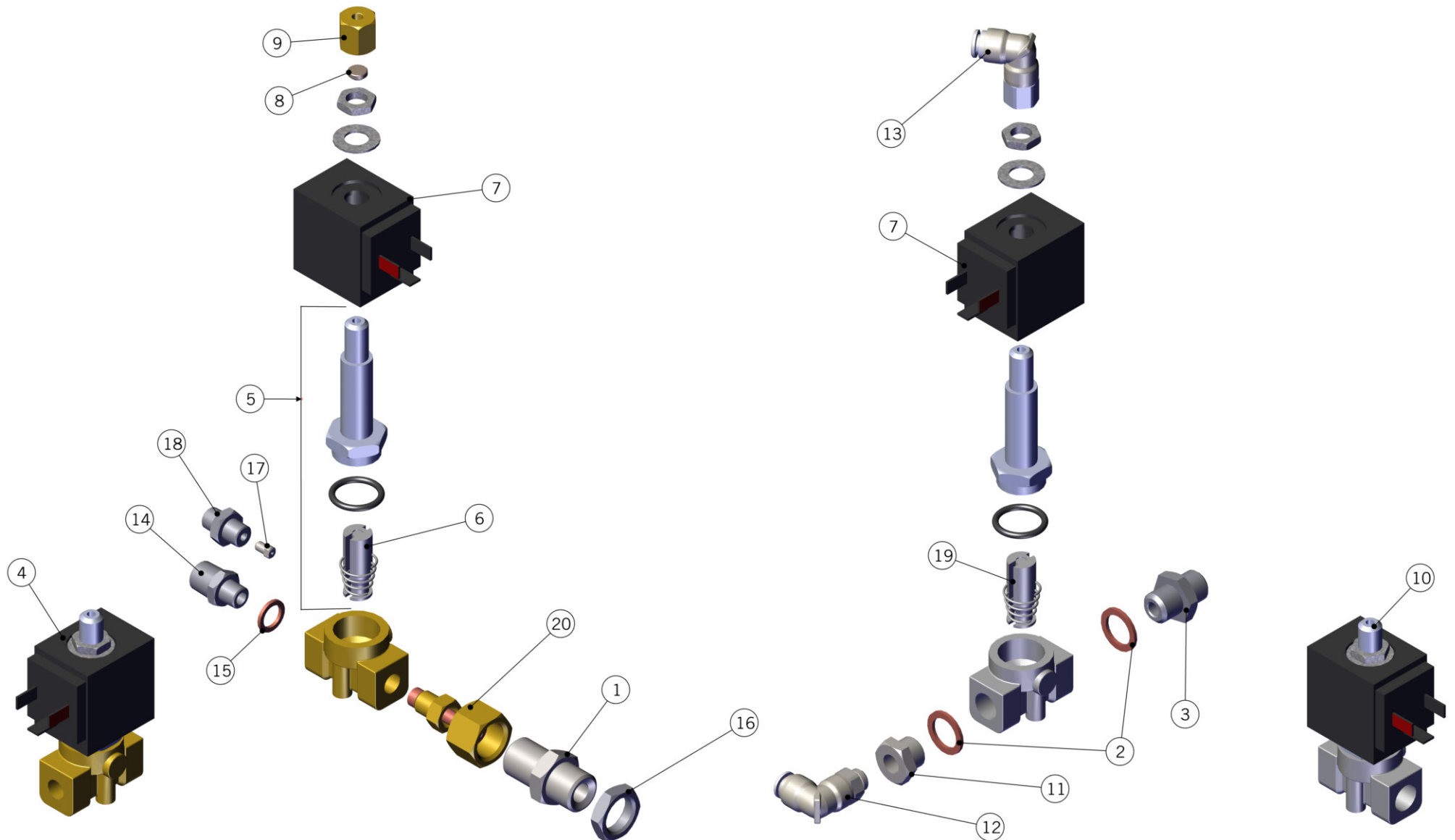




**Raccordi e Valvole**

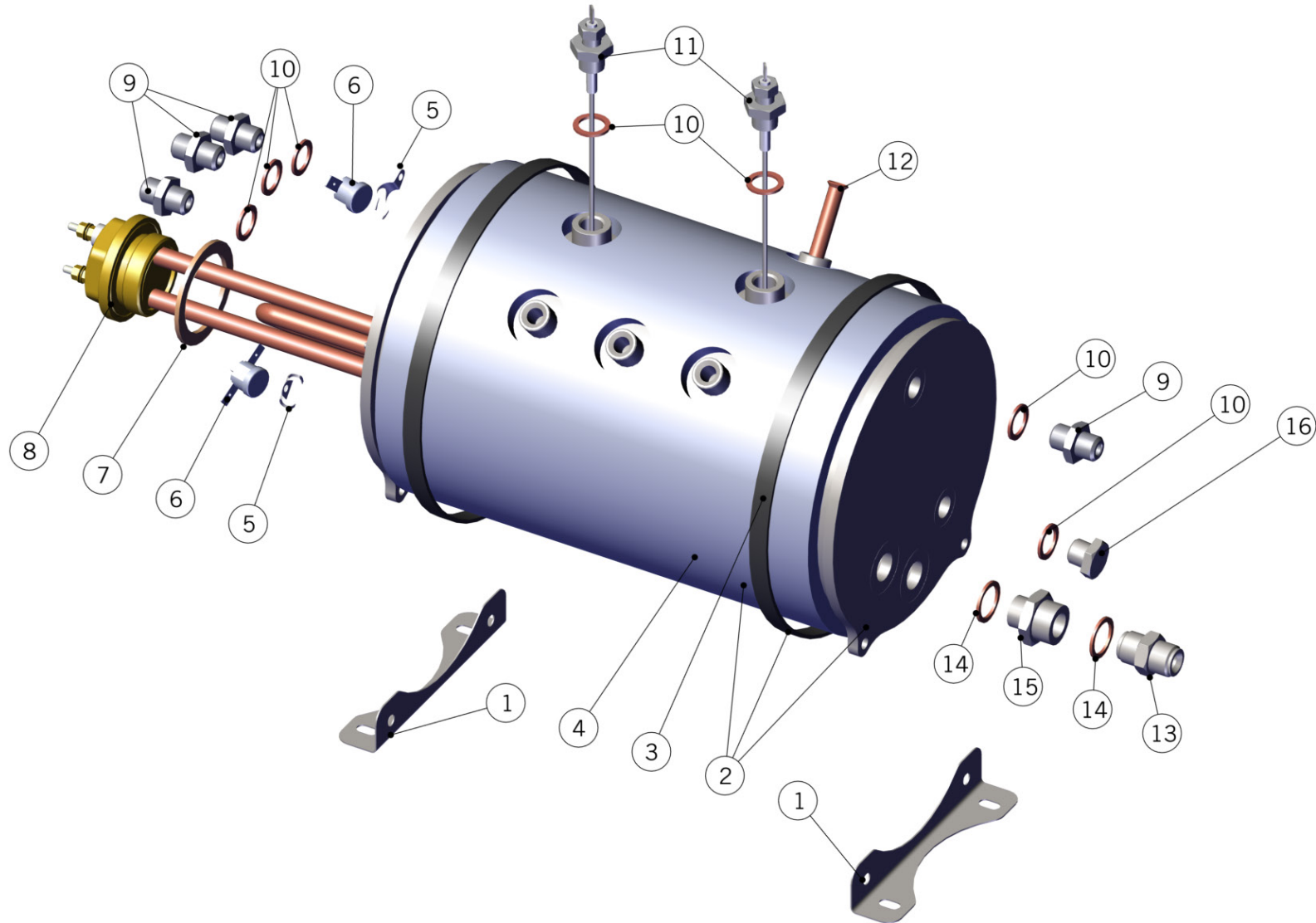
1	T.1.249	TUBE STEAM BOILER - RELIEF VALVE	TUBO CALDAIA VAPORE - VALVOLA SICUREZZA
2	F.1.018.01	CUP SAFETY VALVE W/DRAIN TUBE	BICCHIERE VALVOLA SICUREZZA C/TUBO
3	L180/1	WASHER 22X17X1,5 COPPER	RONDELLA 17X22X1,5 RAME
4	B.2.025	SAFETY VALVE G3/8 2,5 BAR TEA	VALVOLA DI SICUREZZA G3/8 2,5 BAR TEA
5	F.1.019	SAFETY VALVE PROTECTION CUP COVER	COPERCHIO BICCHIERE VALV. SICUREZZA
6	I.1.006	SCREW M4X8 PHILLIPS BUTTON HEAD S/S A2	VITE M4X8 TPB A CROCE INOX A2
7	T.4.001	ANTISUCTION VALVE SILICONE TUBE	TUBO SILICONE 5X8 V. ANTIRISUCCHIO
8	L338/L100	PLASTIC FASTENER 100X2.5	FASCETTA FERMAFILO 98X2.5
9	I.1.059	SCREW M4X30 PHILLIPS BUTTON HEAD S/S A2	VITE M4X30 TPB A CROCE INOX A2
10	C.1.409.01	BRACKET MANIFOLD	STAFFA COLLETTORE
11	L292	GS/3 TUBE FITTING	PORTAGOMMA GS/3
12	A.2.105	FITTING PUSH-IN 6-R1/8 BRASS TREATED	RACCORDO RAPIDO 6-R1/8 OTTONE TR.
13	L100/D	WASHER 10X14X1,5 COPPER	RONDELLA 10X14X1,5 RAME
14	A.5.022	S/S CAP 1/4	TAPPO 1/4 AISI 316L
15	L100/1A	WASHER 13,5X19X1,5 COPPER	RONDELLA 13,5X19X1,5 RAME
16	DADOINOXM4	NUT M4 H3 WR7 S/S A2	DADO M4 H3 CH7 INOX A2
17	F.6.013	MANIFOLD DISCHARGE MODBAR NEW STEAM	COLLETTORE SCARICO MODBAR NEW STEAM
18	L037/3.01	NIPPLE G1/4M-G1/4M WR19 H25.5 BRASS TR.	NIPPLO G1/4M-G1/4M CH19 H25.5 OT. TR.
19	A.1.029	ADAPTOR G 1/2 F - G 1/4 F	RIDUZIONE G 1/2 F - G 1/4 F
20	L037/2PGR	HOSE HOLDER WITH 20 MM. HOLE	PORTAGOMMA DM.MM 20 ES.22
<b>Item</b>	<b>Part number/Codice</b>	<b>Description</b>	<b>Descrizione</b>

# STEAM MODULE SYSTEM - FITTING AND VALVES



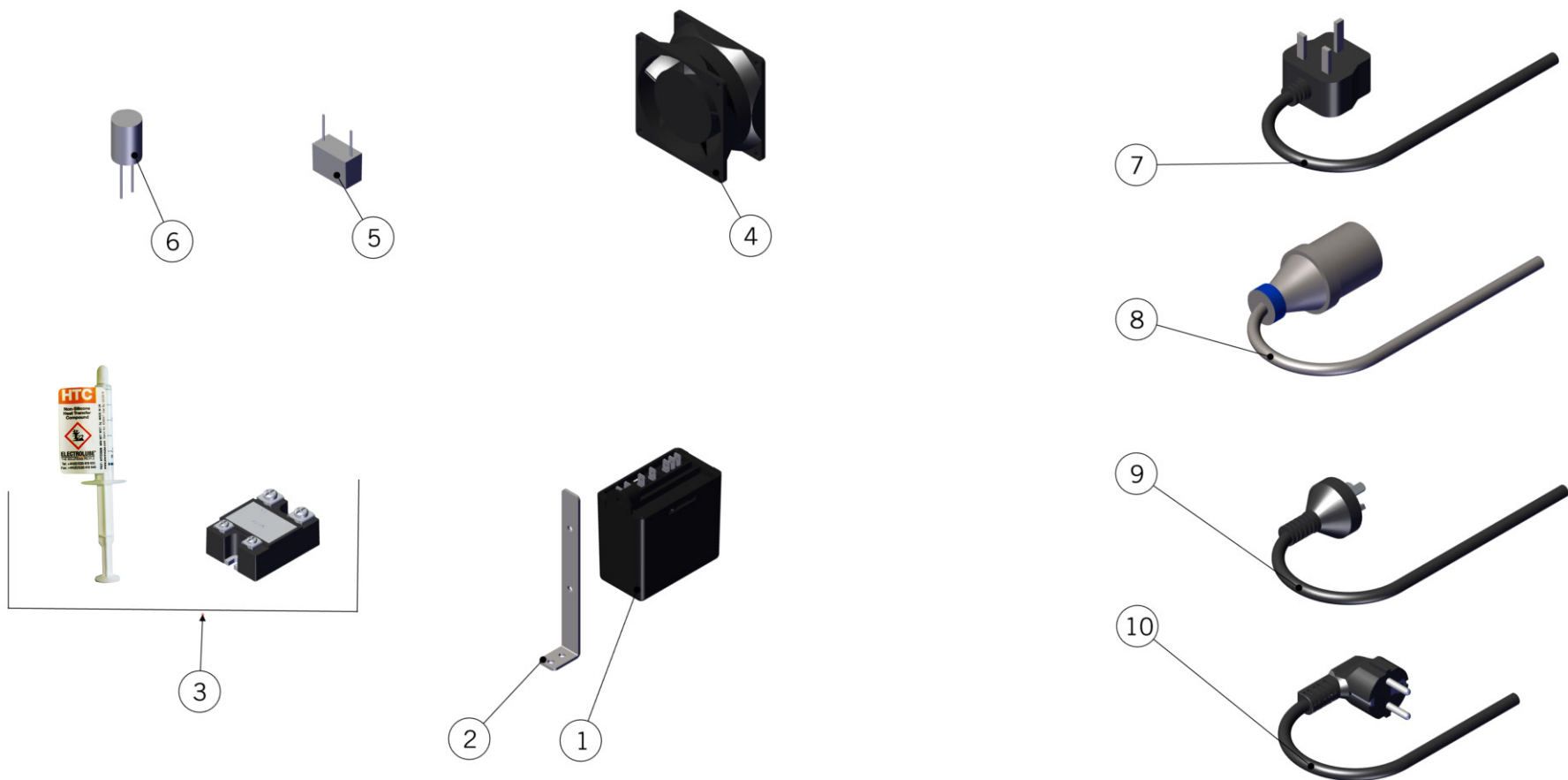
1	A.5.020	NIPPLE G3/8M-G3/8M WR21 H38 BRASS TR.	NIPPLO G3/8M-G3/8M CH21 H38 OTT. TR.
2	L100/1A	WASHER 13,5X19X1,5 COPPER	RONDELLA 13,5X19X1,5 RAME
3	L037/3.01	NIPPLE G1/4M-G1/4M WR19 H25.5 BRASS TR.	NIPPLO G1/4M-G1/4M CH19 H25.5 OT. TR.
4	L100/E.02	SOLENOID VALVE 3 WAY 220/240V	ELETTROVALVOLA 3 VIE 220/240V
	L100/E200.01	SOLENOID VALVE 3 WAY 200V	ELETTROVALVOLA 3 VIE 200V
5	B.2.006.02	SOLENOID VALVE 3 WAY NO COIL	ELETTROVALVOLA 3 VIE SENZA BOBINA
6	L100/H	3-WAY SOLENOID VALVE VITON PLUNGER	NUCLEO MOBILE X EV.3 VIE VITON
7	L100/G.01	SV COIL 220-240V 8W UL CSA VDE	BOBINA EV 220-240V 8W UL CSA VDE
	L100/G200	SOLENOID COIL 200V	BOBINA PER ELETTROVALVOLA 200V
8	L134/4	FERRULE BLIND 8X4 TREATED	GHIANDINA CIECA 8X4 TRATTATO
9	L134	FITTING G1/8F H14 WR14 D4 BRASS	RACCORDO G1/8F H14 CH14 D4 OTTONE
10	B.2.030.01	SOLENOID VALVE 3 WAY D5 220/240V	ELETTROVALVOLA 3 VIE D5 220/240V
11	A.2.032.01	FITTING G1/4M-G1/8F WR17 BRASS TREATED	RACCORDO G1/4M-G1/8F CH17 OTTONE TR.
12	A.7.013	FITTING PUSH-IN 90° 6-G1/8M PPSU	RACCORDO RAPIDO 90° 6-G1/8M PPSU
13	A.7.015	FITTING PUSH-IN 90° 6-G1/8F PPSU	RACCORDO RAPIDO 90° 6-G1/8F PPSU
14	L053/1.01	NIPPLE R1/8M-R1/4M WR14 BRASS TR.	NIPPLO R1/8M-R1/4M CH14 OTTONE TR.
15	L100/D	WASHER 10X14X1,5 COPPER	RONDELLA 10X14X1,5 RAME
16	L183/1.01	NUT G3/8 H6 CH21 BRASS TREATED	DADO G3/8 H6 CH21 OTTONE TRATTATO
17	A.5.100	GICLEUR Ø0,8 M4 CH4 S/S	GICLEUR Ø0,8 M4 CH4 INOX
18	A.2.029	NIPPLE R1/8M-R1/8M WR14 BRASS TR.	NIPPLO R1/8M-R1/8M CH14 OTTONE TR.
19	B.2.031	PLUNGER SOLENOID VALVE D5 3WAY 220V	NUCLEO ELETTROVALVOLA D5 3VIE 220V
20	T.1.280	TUBE WATER INLET - SOLENOID V. AUTOFILL	TUBO INGR. ACQUA - E.V. RIEMPIIMENTO
<b>Item</b>	<b>Part number/Codice</b>	<b>Description</b>	<b>Descrizione</b>

# STEAM MODULE SYSTEM - STEAM BOILER



1	C.1.405	BOILER, MOUNTING BRACKET	STAFFA DI FISSAGGIO CALDAIA
2	L.1.011.R	STEAM BOILER MODBAR NEW STEAM	CALDAIA VAPORE MODBAR NEW STEAM
3	A.5.016.01	PLASTIC FASTENER 750X7.5	FASCETTA NERA 750x7.5 NYLON
4	F.7.022	BOILER INSULATION MODBAR NEW STEAM	CAPPOTTINA MODBAR NEW STEAM
5	L276.01S	L276.01 BRACKET	STAFFA SINGOLA A CLIP X L276.01
6	E.5.006	SAFETY THERMOSTAT 140°C	TERMOSTATO DI SICUREZZA 140°C
7	LR360	1-1/4 HEATER ELEMENT GASKET	GUARNIZIONE PIANA DM.55X42X2
8	E.6.035	HEATING ELEMENT W3600 V240 CM23	RES. EL. W3600 V240 CM23 1-1/4 RP
	E.6.037	HEATING ELEMENT W3000 V200 CM23	RES. EL. W3000 V200 CM23 1-1/4 RP
9	L037/3.01	NIPPLE G1/4M-G1/4M WR19 H25.5 BRASS TR.	NIPPLO G1/4M-G1/4M CH19 H25.5 OT. TR.
10	L100/1A	WASHER 13,5X19X1,5 COPPER	RONDELLA 13,5X19X1,5 RAME
11	LA052	WATER LEVEL PROBE	SONDA LIVELLO TL10/B 140MM.
12	TL07/G.01	HOT WATER SUCTION PIPE TREATED	TUBO PESCAGGIO ACQUA C.VAPORE TRATTATO
13	L305/N.01	NIPPLE G3/8M-G3/8M WR20 H31 BRASS TR.	NIPPLO G3/8M-G3/8M CH20 H31 OTTONE TR.
14	L180/1	WASHER 22X17X1,5 COPPER	RONDELLA 17X22X1,5 RAME
15	A.2.112	NIPPLE G3/8M-G1/2M WR25 BRASS TR.	NIPPLO G3/8M-G1/2M CH25 OTTONE TR.
16	A.5.022	S/S CAP 1/4	TAPPO 1/4 AISI 316L
<b>Item</b>	<b>Part number/Codice</b>	<b>Description</b>	<b>Descrizione</b>

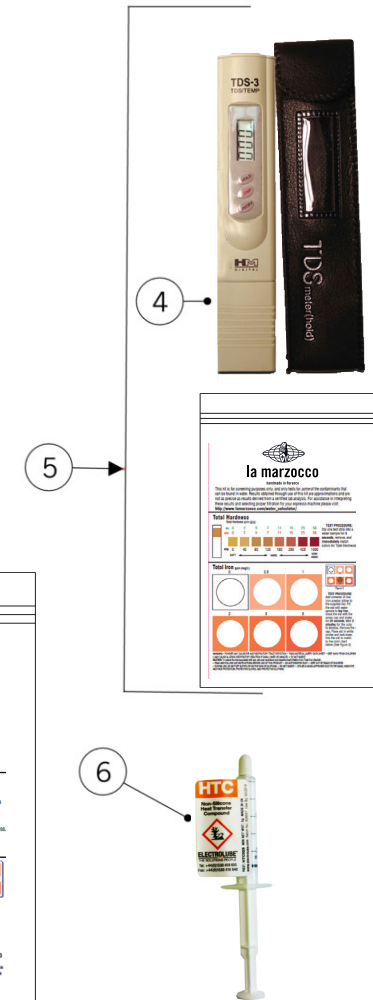
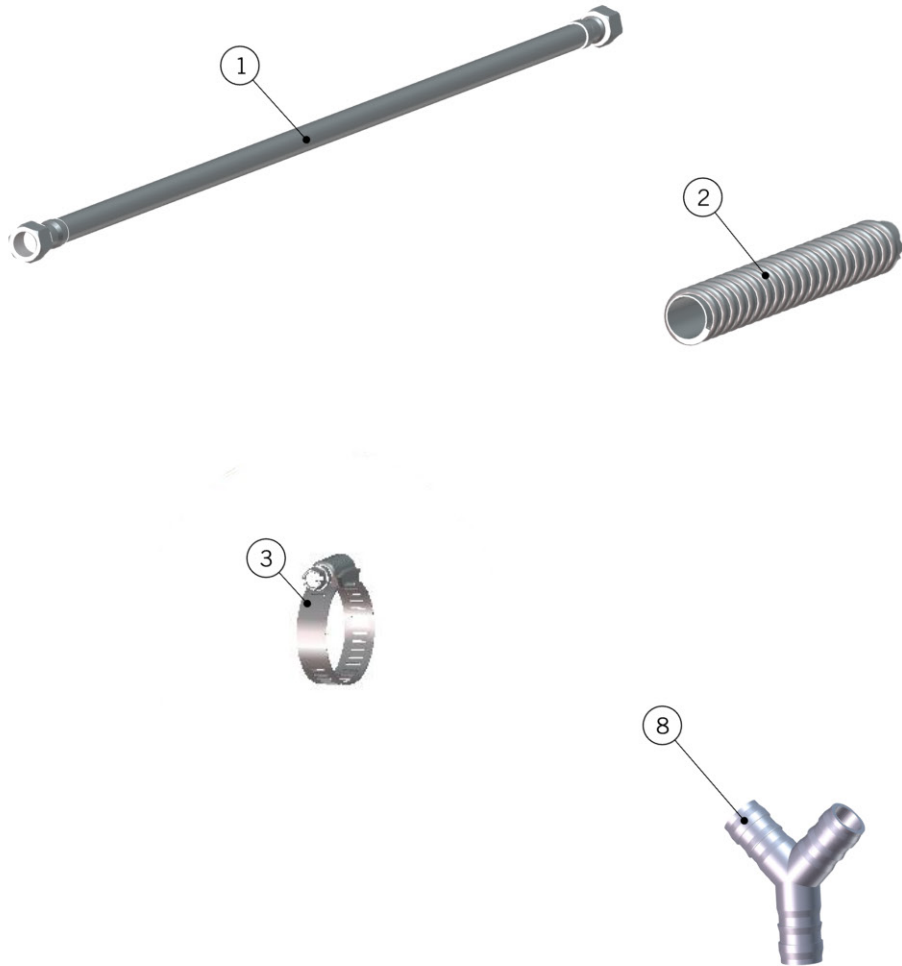
## ELECTRICAL SYSTEM



Impianto Elettrico

1	E.1.050	ELECTRONIC BOARD GICAR MODBAR NEW STEAM	SCHEDA GICAR VAPORE MODBAR NEW STEAM
	E.1.058	ELECTRONIC BOARD MODBAR NEW STEAM 200 V	SCHEDA GICAR MODBAR NEW STEAM 200 V
2	C.1.388	BRACKET FOR TERMINAL MODBAR AV ESPRESSO	STAFFA MORSETTIERA MODBAR AV ESPRESSO
3	E.4.188.R	SSR 25A 240V W/THERMAL COMPOUND	RELE' STATO SOLIDO 25A 240V C/PASTA TERM
4	L600	FAN	VENTILATORE
5	L206	FILTER EMC FOR GB/5	FILTRO EMC PER GB/5
6	E.2.030	2x22nF+0,1microF FILTER	FILTRO 2x22nF+0.1microF
7	942	MODBAR KIT PLUG IN UK SA POUR OVER AND STEAM	MODBAR KIT SPINA UK SA POUR OVER E STEAM
8	943	MODBAR KIT PLUG IN UK SA ESPRESSO+CH ASSEMBLED	MODBAR KIT SPINA UK SA ESPRESSO+CH COMPL
9	944	MODBAR KIT PLUG IN AUS+NZ ASSEMBLED	MODBAR KIT SPINA AUS+NZ COMPLETO
10	946	MODBAR KIT PLUG IN EU ASSEMBLED	MODBAR KIT SPINA EU COMPLETO
<b>Item</b>	<b>Part number/Codice</b>	<b>Description</b>	<b>Descrizione</b>

## HOSE AND ACCESSORIES





1	L305/050.01	BRAIDED HOSE CM.50 3/8 F	TUBO FLESSIBIL INOX 3/8F CM.50
	L305/120.01	BRAIDED HOSE CM.120 3/8 F	TUBO FLESSIB INOX 3/8F CM.120
	L305/210.01	BRAIDED HOSE CM.210 3/8F	TUBO FLESSIB INOX 3/8F CM.210
	L306/050	BRAIDED HOSE 3/8 COMPR. WR17 50CM NSF	TUBO FLEX 3/8 COMPR. CH17 50CM NSF
	L306/120	BRAIDED HOSE 3/8 COMPR. WR17 120CM NSF	TUBO FLEX 3/8 COMPR. CH17 120CM NSF
	L306/210	BRAIDED HOSE G3/8F WR20 210CM NSF	TUBO FLEX G3/8F CH20 210CM NSF
	L306/210/C	BRAIDED HOSE G3/8F WR20 210CM NSF CURVED	TUBO FLEX G3/8F CH20 210CM NSF C/CURV.
	T.5.003	BRAIDED HOSE 3/8 COMPR. WR17 210CM NSF	TUBO FLEX 3/8 COMPR. CH17 210CM NSF
2	T.3.009	CLEAR ARMOURED DRAIN HOSE MODBAR	TUBO SCARICO ACQUA MODBAR
3	L312	HOSE CLAMP	FASCETTA SERRATUBO 16/25 H.8
4	F.9.003	DIGITAL TDS METER	TDS METER DIGITALE
5	941	WATER TEST KIT	KIT MISURAZIONE ACQUA
6	F.1.065	HTC THERMAL COMPOUND SYRINGE 2ML	SIRINGA GRASSO TERMICO HTC 2ML
7	F.9.000.01	MULTIPLE PARAMETER TEST KIT	KIT PER ANALISI DELL'ACQUA
8	F.1.121	Y MANIFOLD FOR DRAIN	COLLETTORE A Y PER SCARICO
<b>Item</b>	<b>Part number/Codice</b>	<b>Description</b>	<b>Descrizione</b>

**modbar**<sup>™</sup>

[www.modbar.com](http://www.modbar.com) | [@modbar](mailto:@modbar)

USA +1-260-454-5040 | 628 Leesburg, Rd., Fort Wayne, IN, 46808

WORLD +39-055-849191 | Via La Torre 14/H, 50038, Scarperia e San Piero (FI), Italy