

wally milk

connection kits



la marzocco

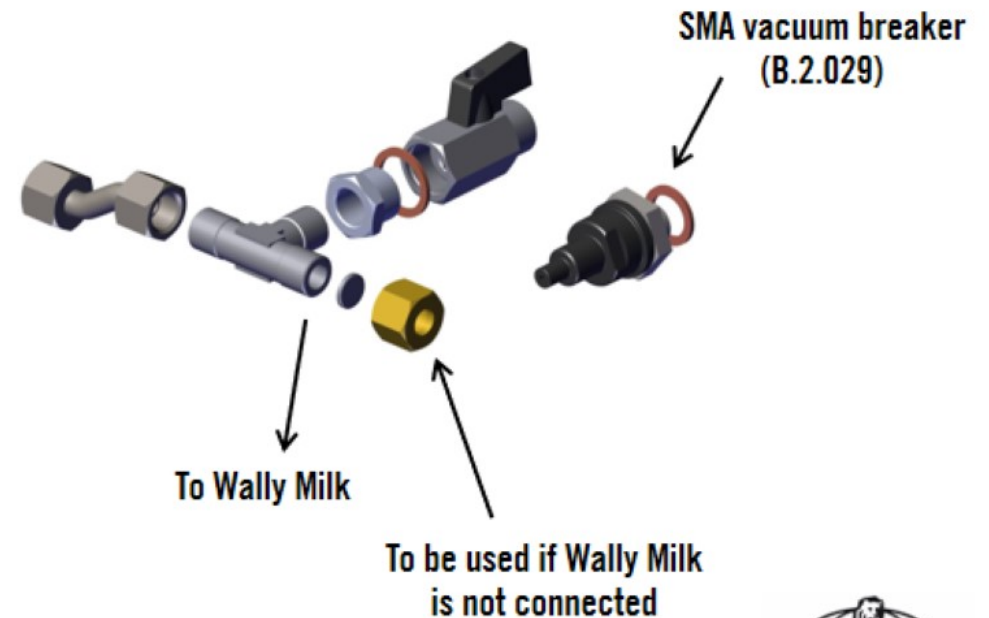
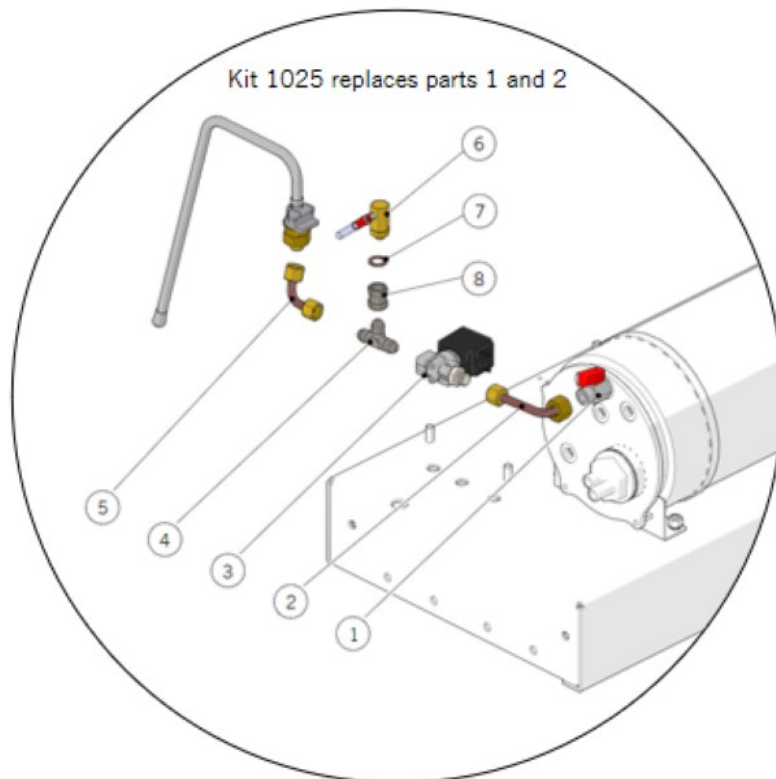
handmade in florence

Strada AV.

kit 1025

The kit 1025 can be installed either on the right or on the left side of the machine, and it replaces all parts from the steam boiler to the proportional solenoid valve.

Note: in order to fit the kit on the right side of the boiler, the machine must have the B.2.029 SMA vacuum breaker (which is supplied with the kit), as the older vacuum breaker valve does not allow enough clearance.



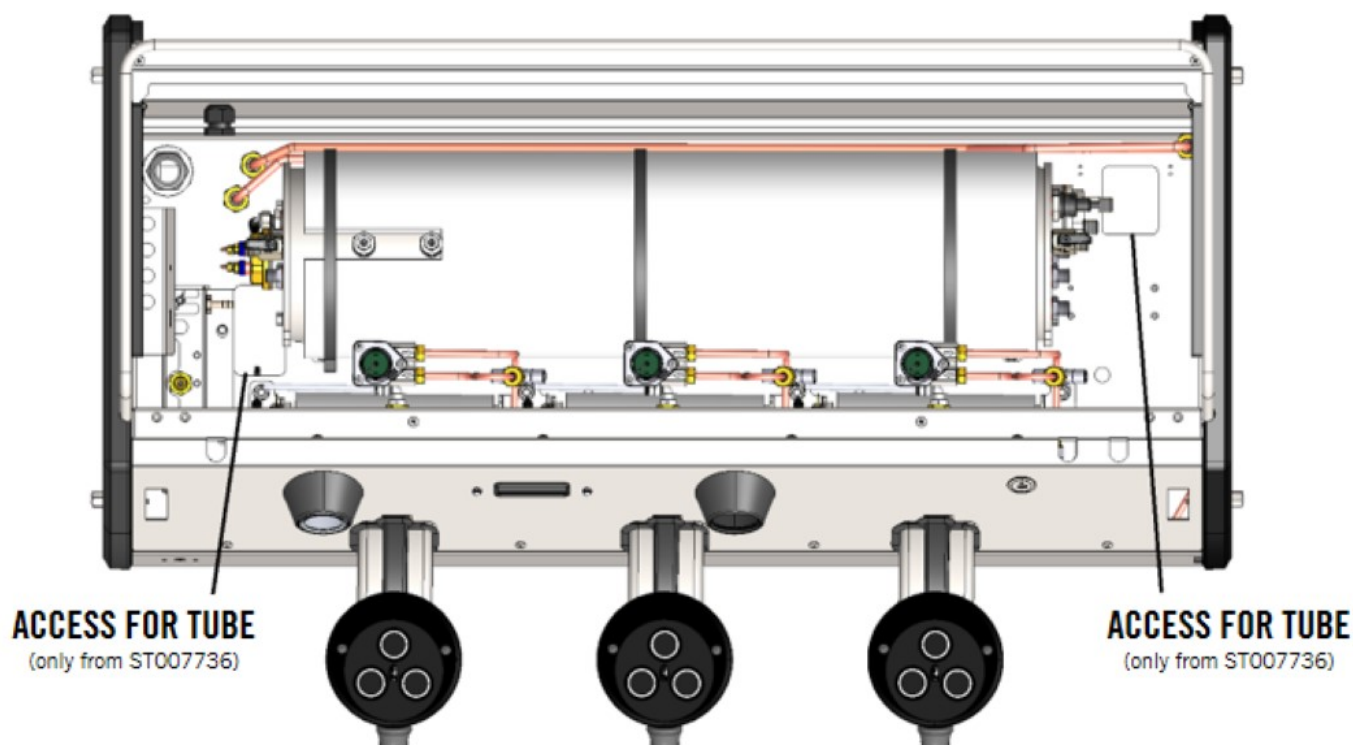
Strada AV.

from ST007736

kit 1025

The kit 1025 can be installed either on the right or on the left side of the machine.

New frames, which are in production from serial number ST007736, have squared holes in both sides of the base to allow the wally milk tube to be easily inserted.



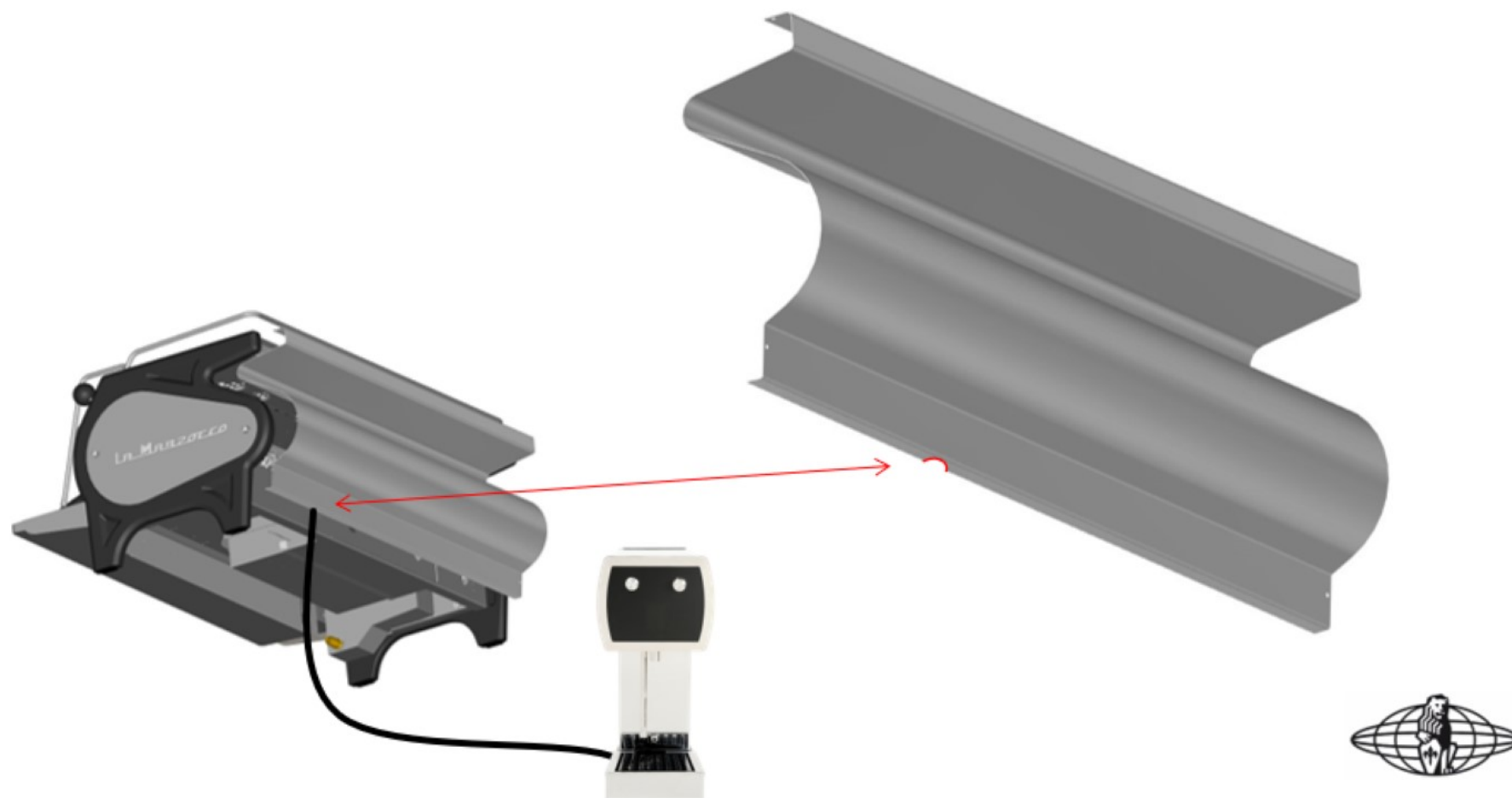
Strada AV.

prior to ST007736

kit 1025

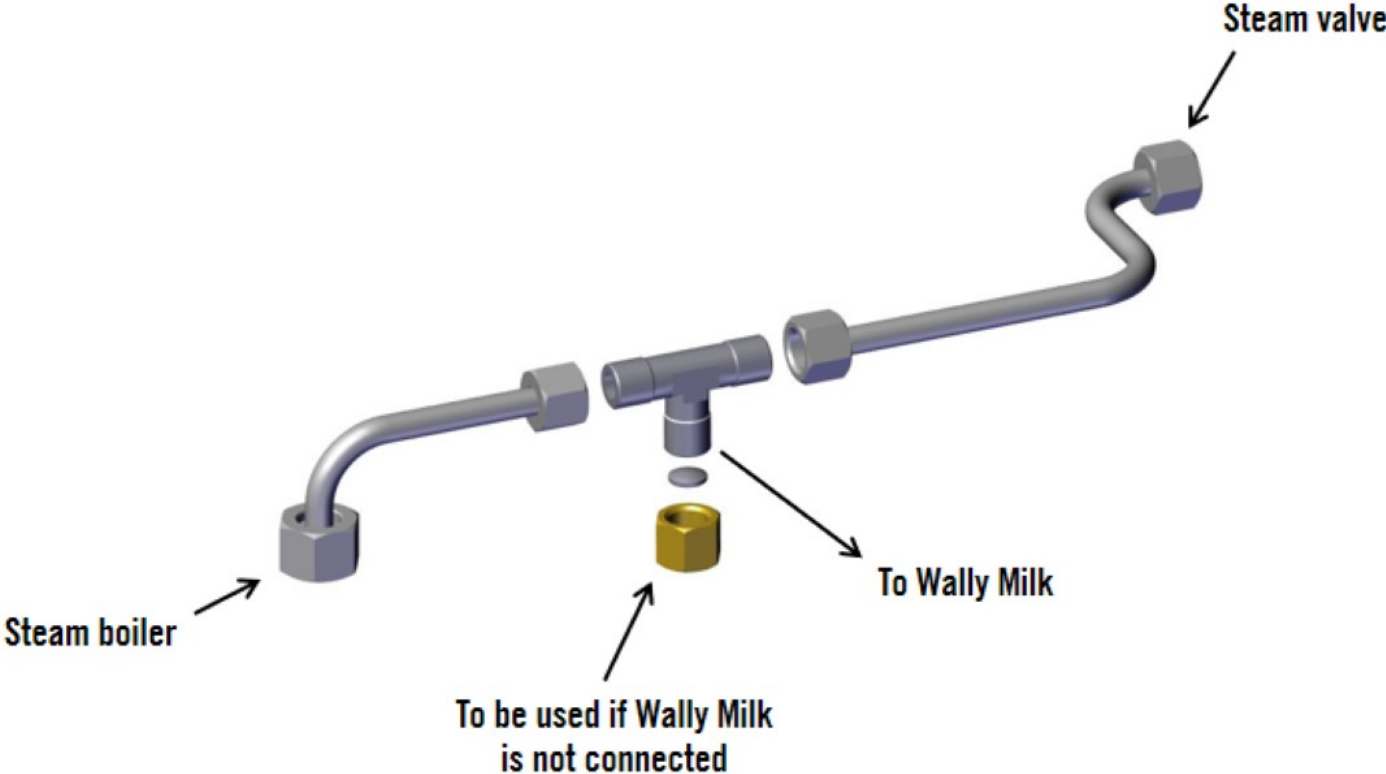
Strada AVs prior to ST007736 do not have any access for the steam tube in the base frame.

For these machines, we suggest to create a slot in the lower side of the back panel.



Linea PB / KB90.

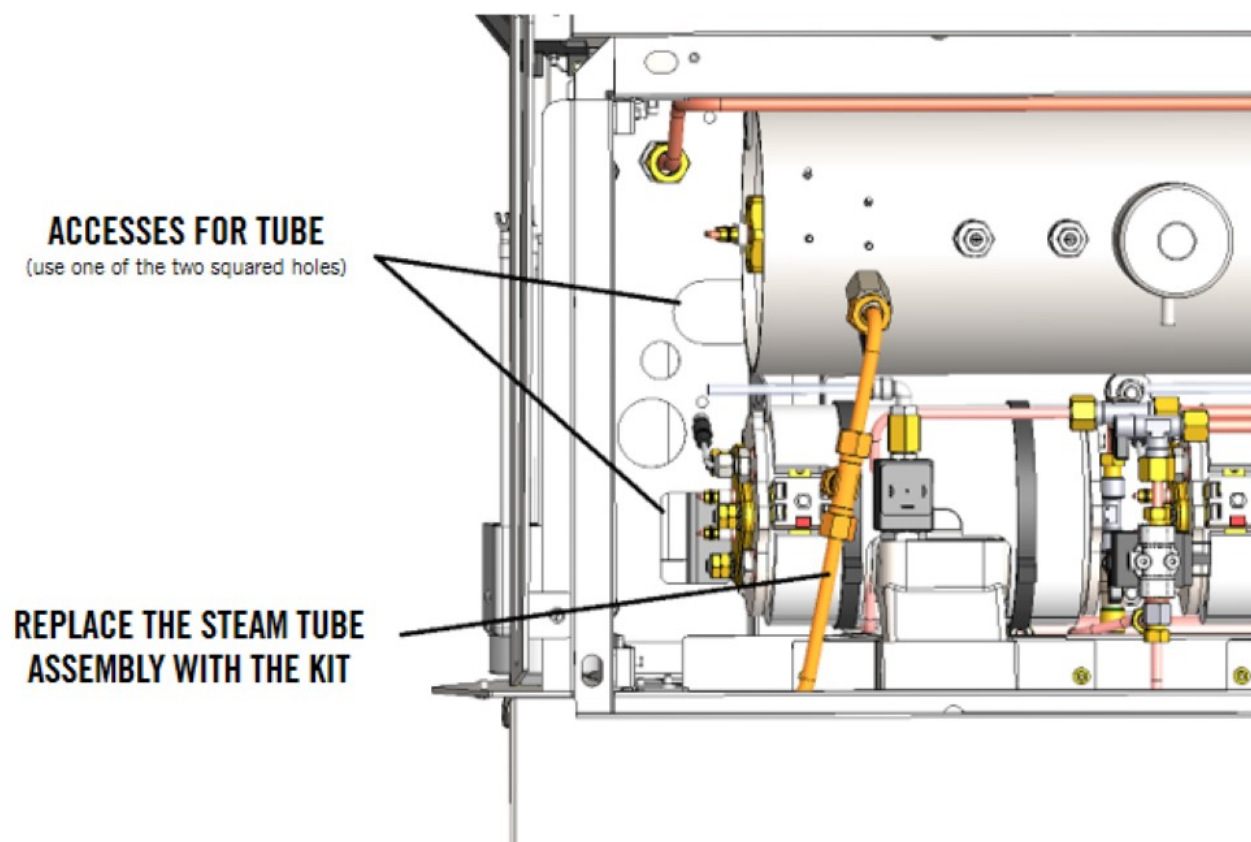
kit 1014 - 1015



Linea PB / KB90.

kit 1015

Left side kit (1015) can be fitted in all Linea PBs and KB90s, using one of the two indicated holes.

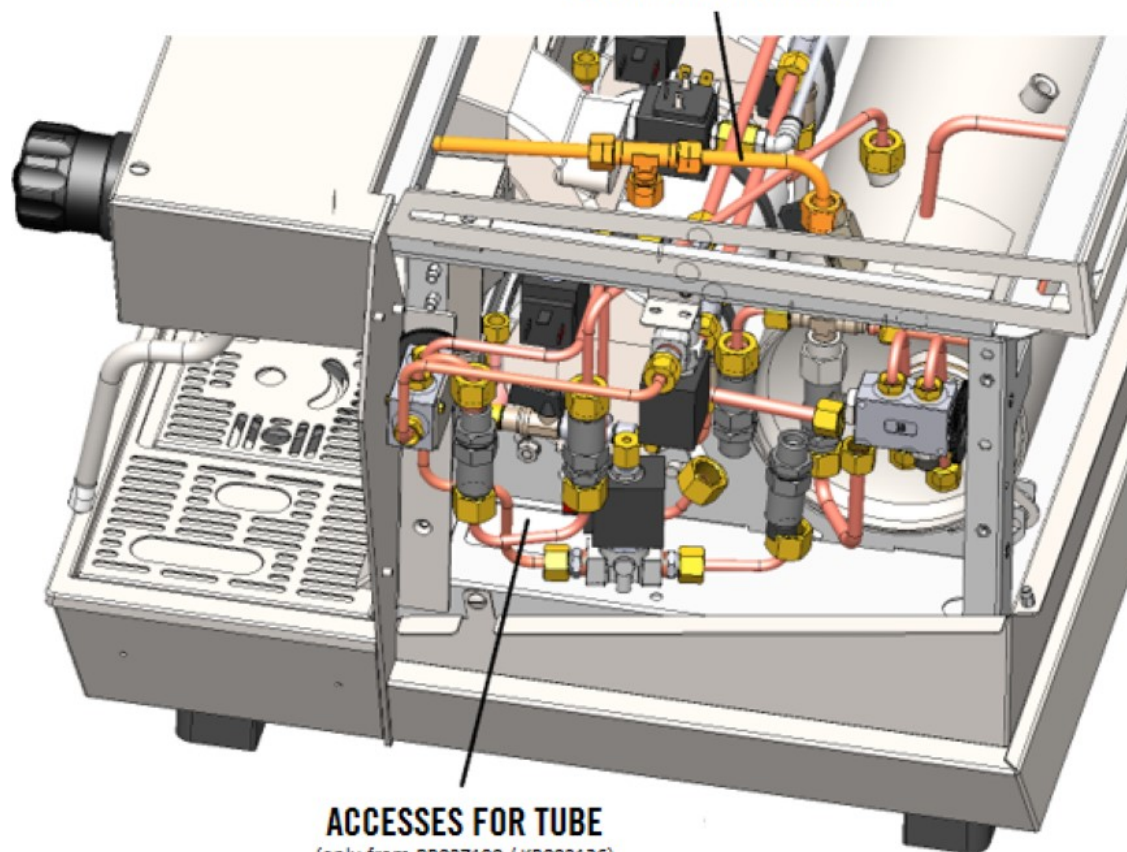


Linea PB / KB90.

kit 1014

Right side kit (1014) can be fitted in recent frames only, since holes are not present in frames prior to serial number PB027190 and KB002136.

**REPLACE THE STEAM TUBE
ASSEMBLY WITH THE KIT**



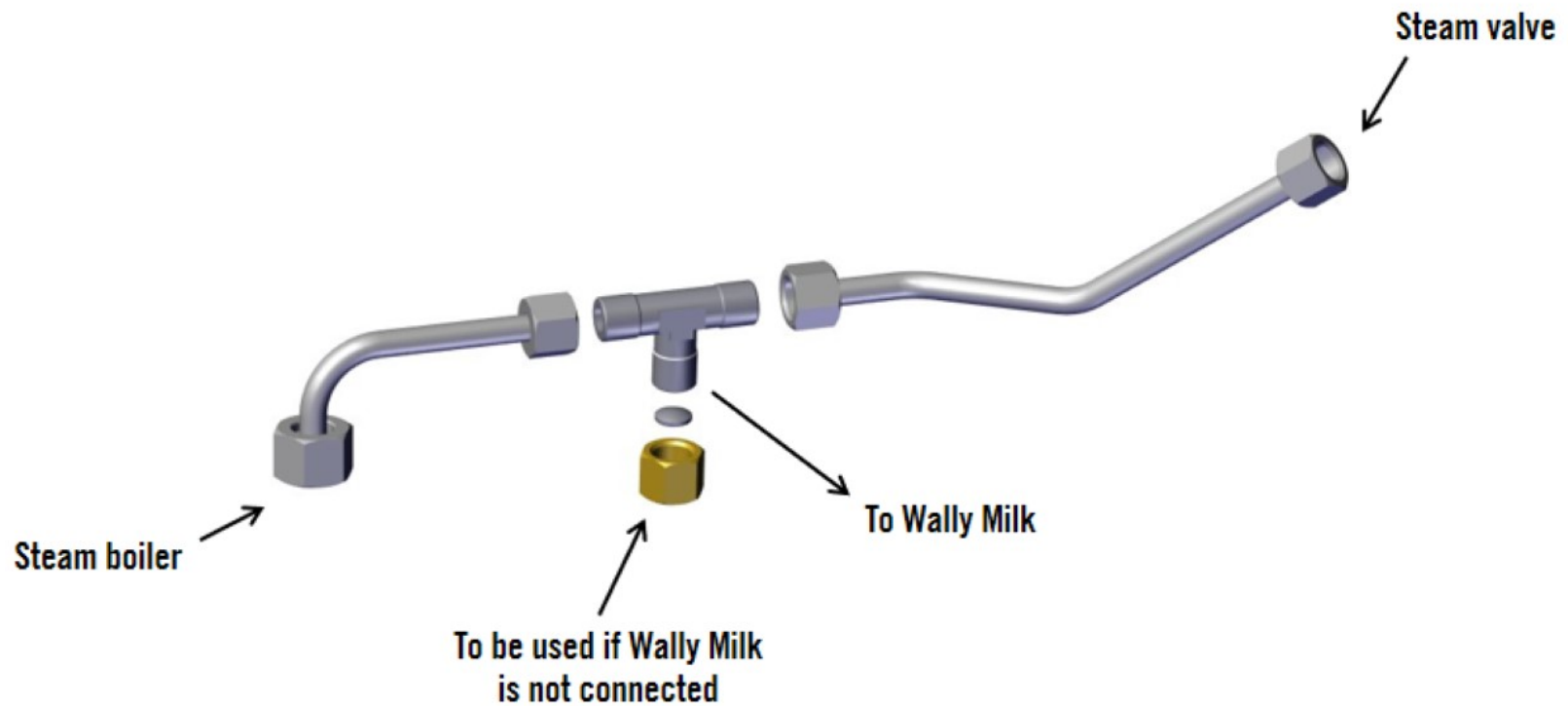
ACCESSES FOR TUBE
(only from PB027190 / KB002136)



GB5 X-S.

kit 1012 - 1013

Kit 1012 can be fitted on the right side, while kit 1013 can be fitted on the left side of the machine.



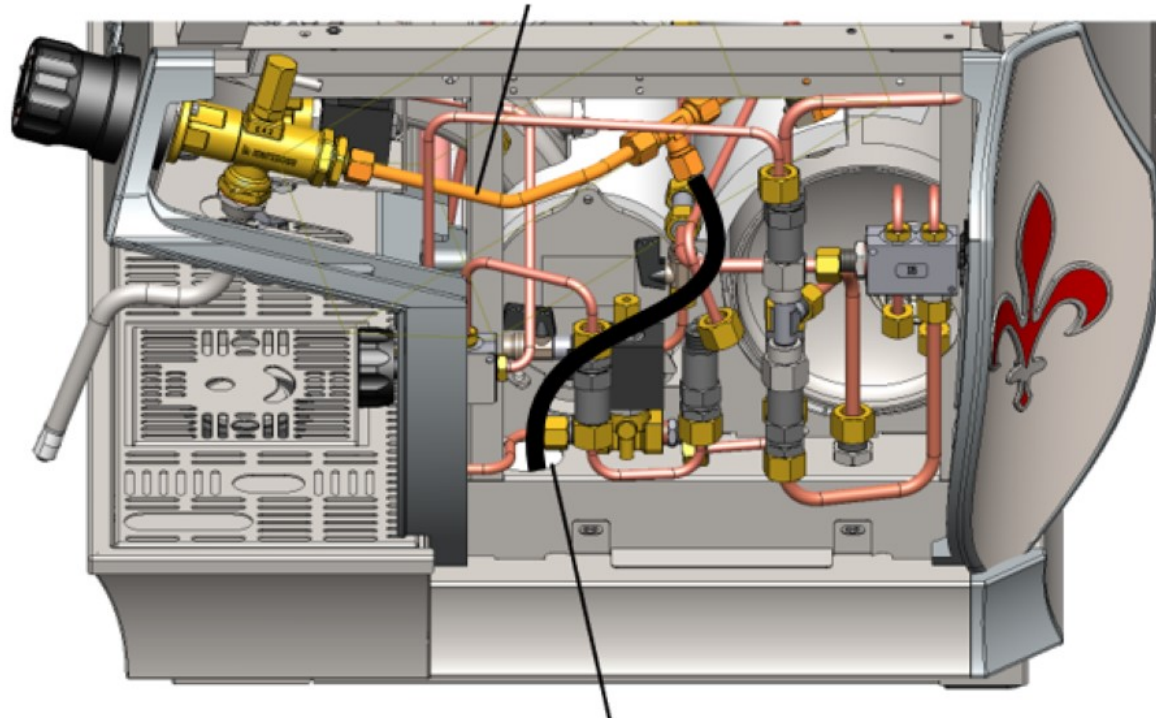
GB5 X-S.

kit 1012 - 1013

Kit 1012 can be fitted on the right side, while kit 1013 can be fitted on the left side of the machine.

The holes in both sides of the base frame allow for inserting the steam tube from underneath the machine.

**REPLACE THE STEAM TUBE
ASSEMBLY WITH THE KIT**



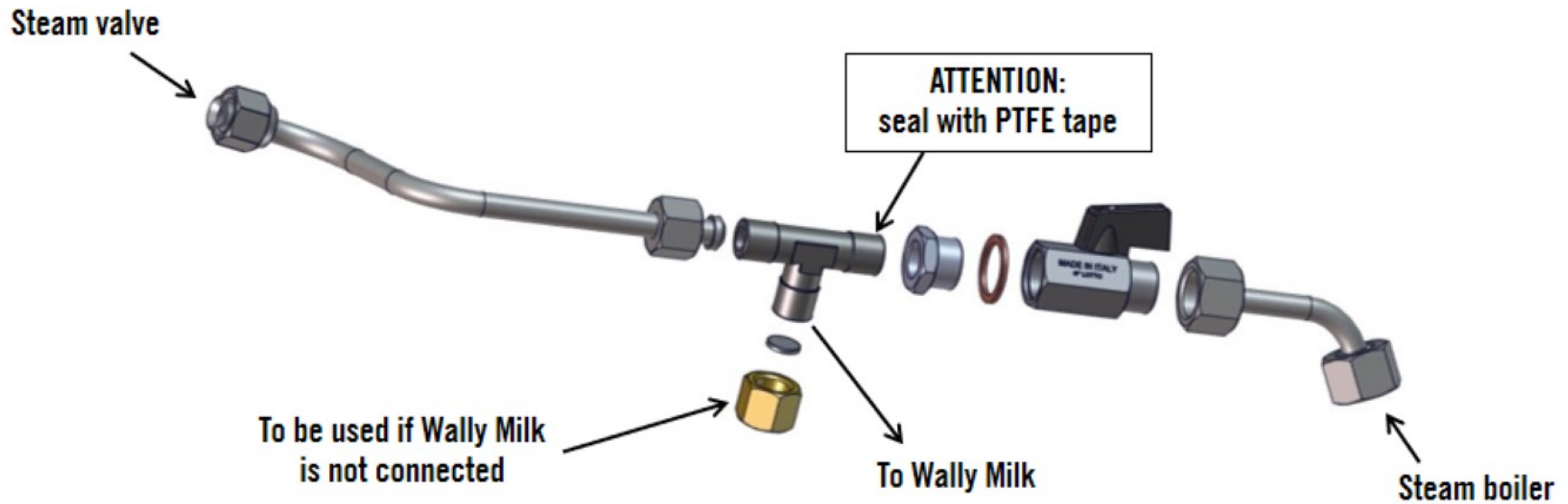
ACCESSES FOR TUBE



GB5 / FB80.

kit 1018 - 1019

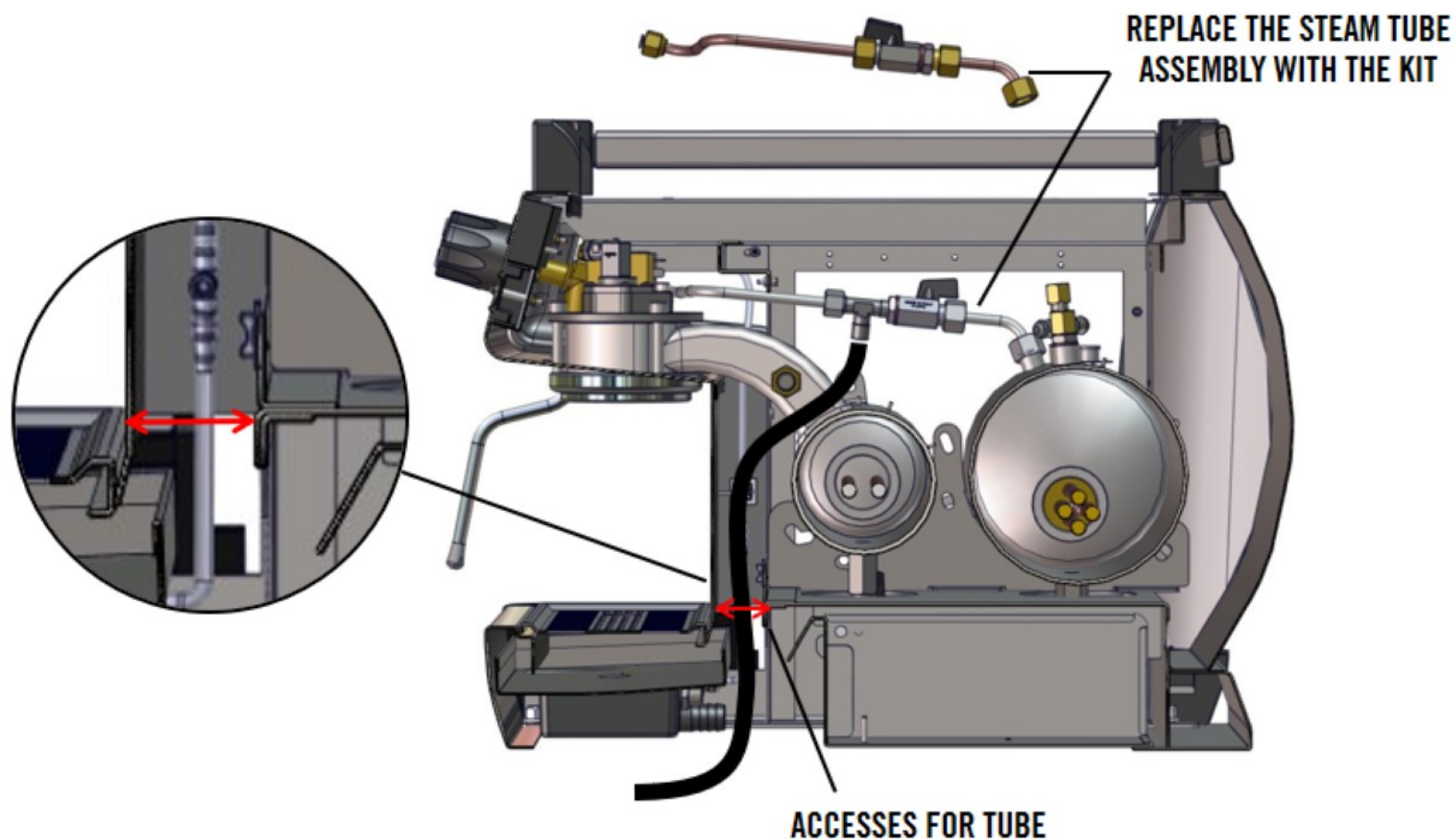
Kit 1018 can be fitted on the right side, while kit 1019 can be fitted on the left side of the machine.



GB5 / FB80.

kit 1018 - 1019

Kit 1018 can be fitted on the right side, while kit 1019 can be fitted on the left side of the machine.
The gap between front panel and base frame allows for inserting the steam tube from underneath the machine.

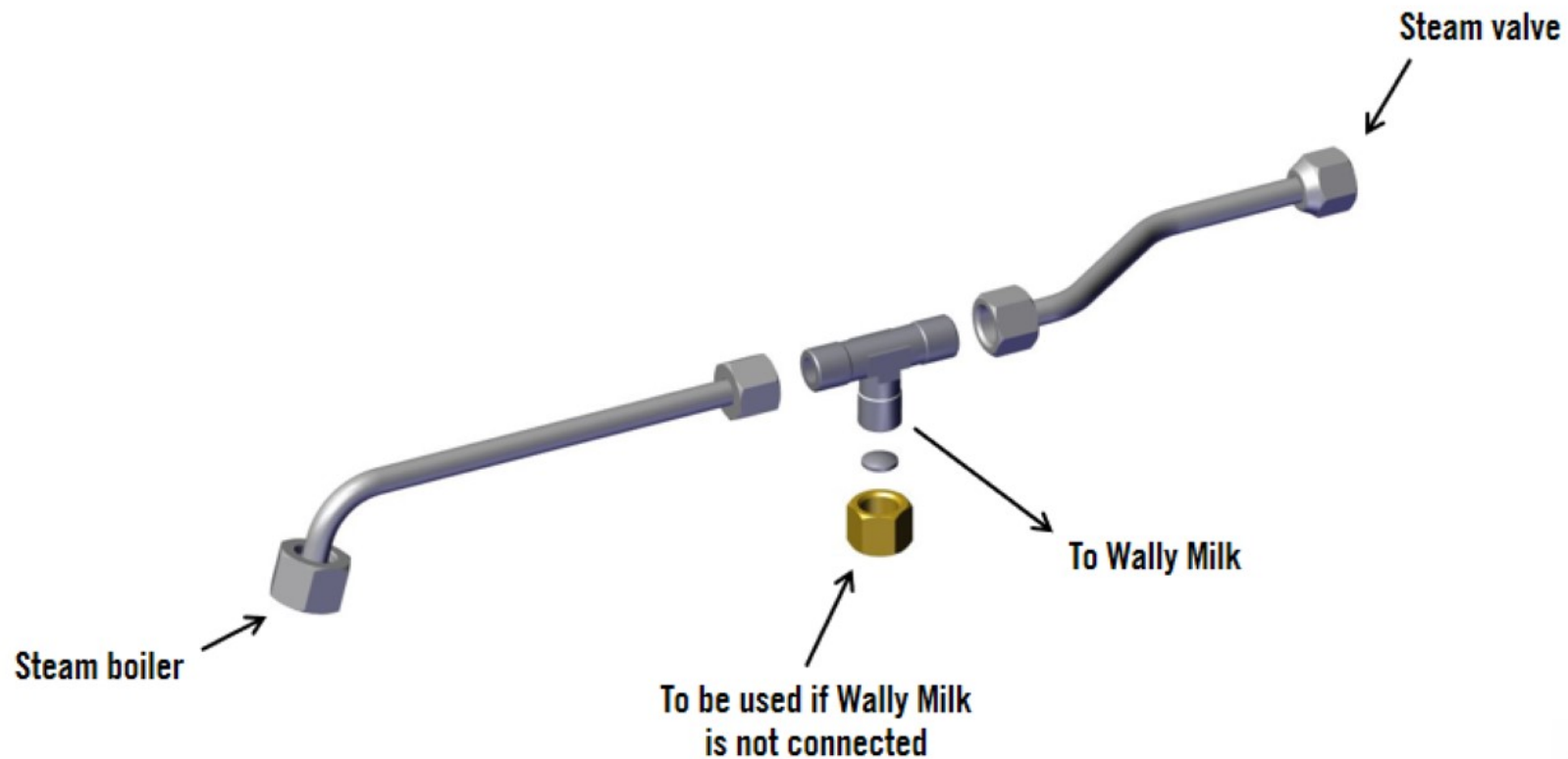


Linea Classic.

kit 1016 - 1017

Kit 1016 can be fitted on the right side, while kit 1017 can be fitted on the left side of the machine. The base frame has holes to allow inserting the steam tube from underneath the machine.

Attention: if the CL03/*PR sealing panel is present underneath the frame, this must be removed or drilled.



Linea Classic.

kit 1016 - 1017

Kit 1016 can be fitted on the right side, while kit 1017 can be fitted on the left side of the machine. The base frame has holes to allow inserting the steam tube from underneath the machine.

Attention: if the CL03/*PR sealing panel is present underneath the frame, this must be removed or drilled.



Modbar Steam.

Attention: not suitable for pre-2019 version.

kit 1023

Kit 1023 can be fitted either on Tap 1 or Tap 2 outlet. A new connection cable is also supplied to connect Wally Milk to the module's electronics.

The included fittings and PTFE tube have increased diameter in order to supply proper steam pressure to Wally Milk to maximize its frothing performance.

