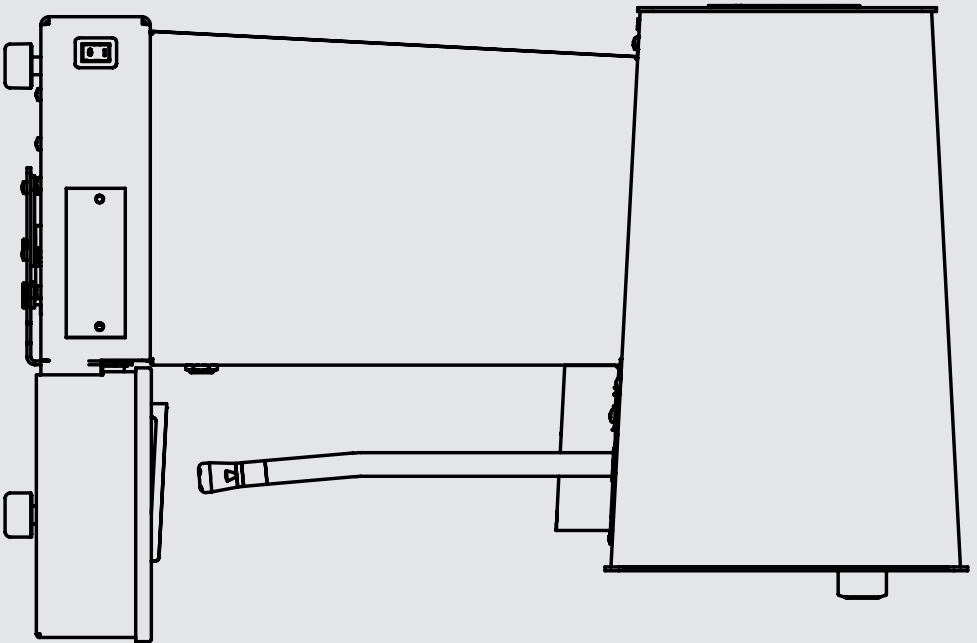


parts catalog wally milk



V1.0



la marzocco
handmade in florence





la marzocco
handmade in florence

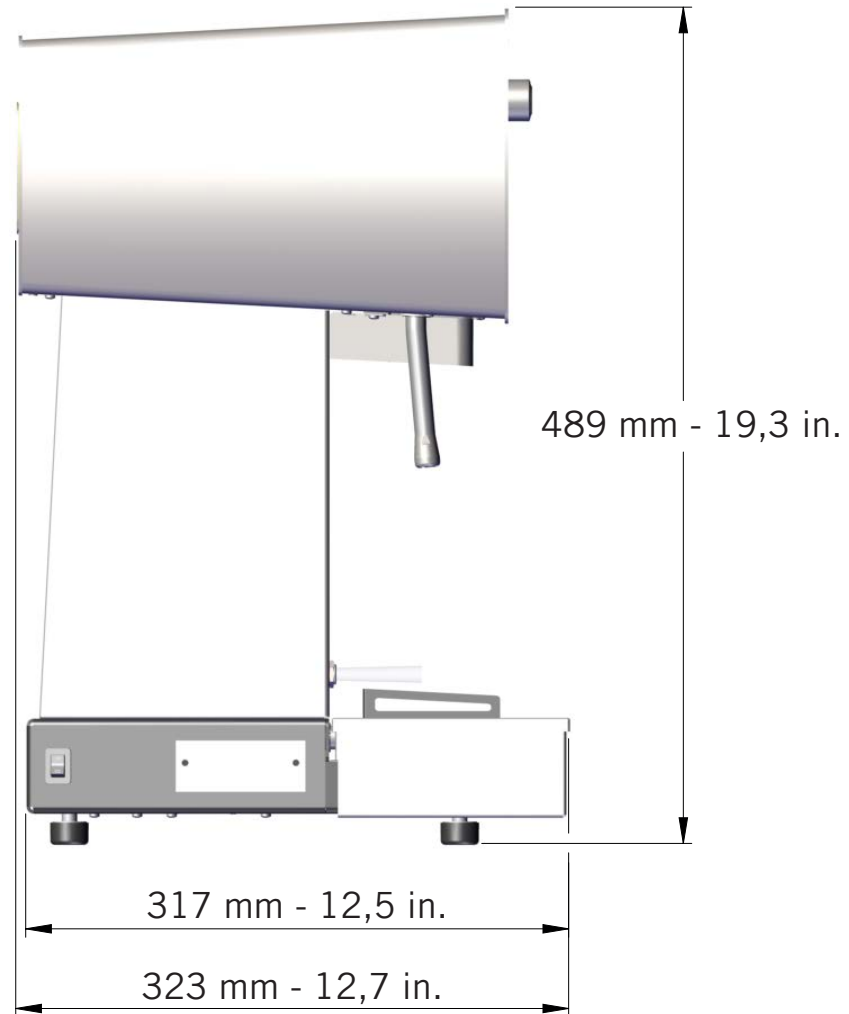
INDEX

		Pag.	Ver.
Specifications	Caratteristiche Tecniche	4	1.0
Wally Milk Assembly	Wally Milk Particolari e Assiemi	6	1.0
Accessories	Grinder e Accessori	14	1.0



la marzocco
handmade in florence

SPECIFICATIONS





la marzocco

handmade in florence

SPECIFICATIONS

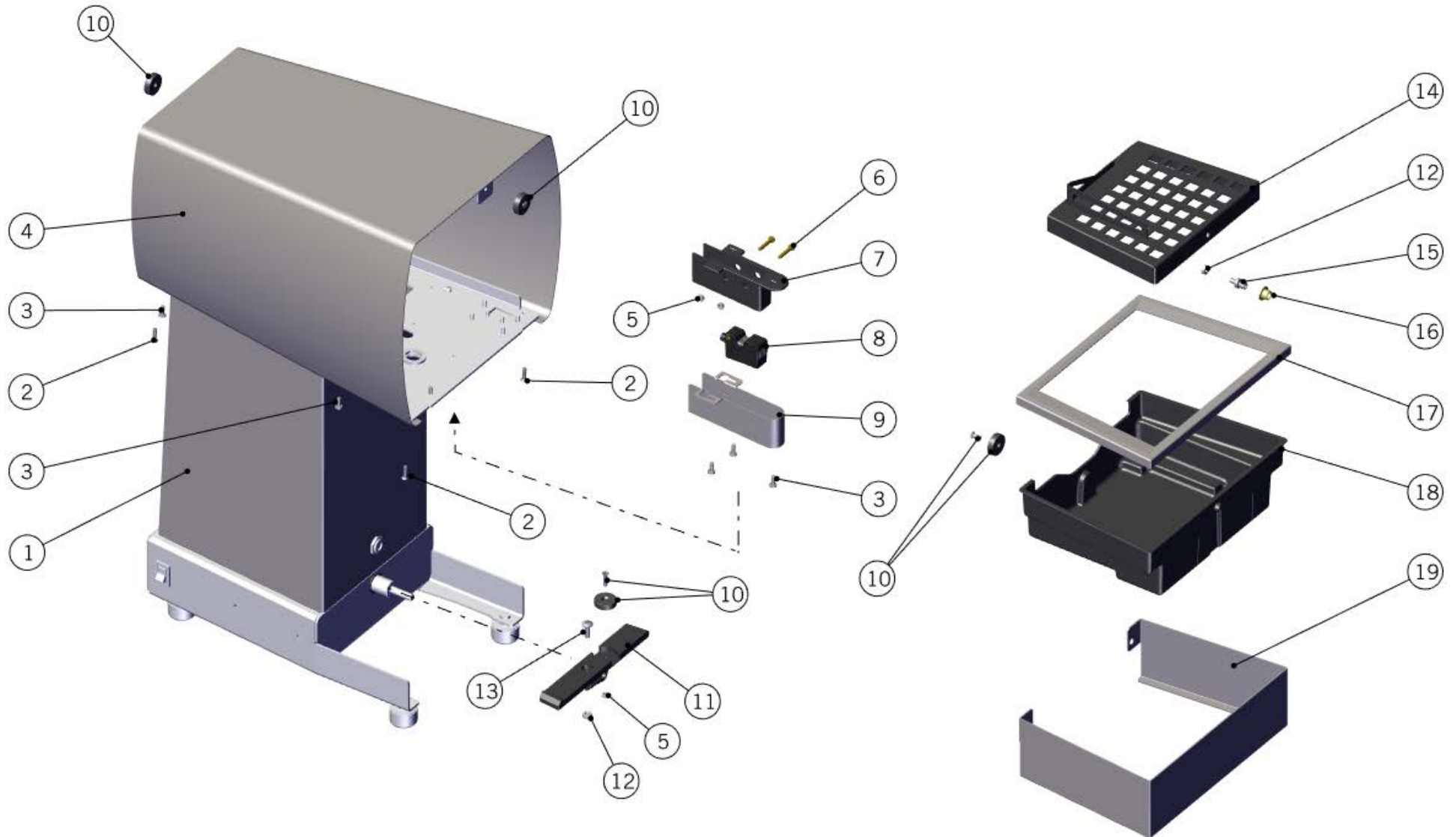
Caratteristiche Tecniche	Width	mm	225
		in	8,9
	Height	mm	489
		in	19,3
	Depth	mm	323
		in	12,7
	Machine weight	Kg	10
		lb	22
	Electrical Voltage	VAC	110VAC Single Phase - 47 Watt
			220VAC Single Phase - 45 Watt



la marzocco

handmade in florence

WALLY MILK ASSEMBLY





la marzocco

handmade in florence

WALLY MILK ASSEMBLY

Wally Milk

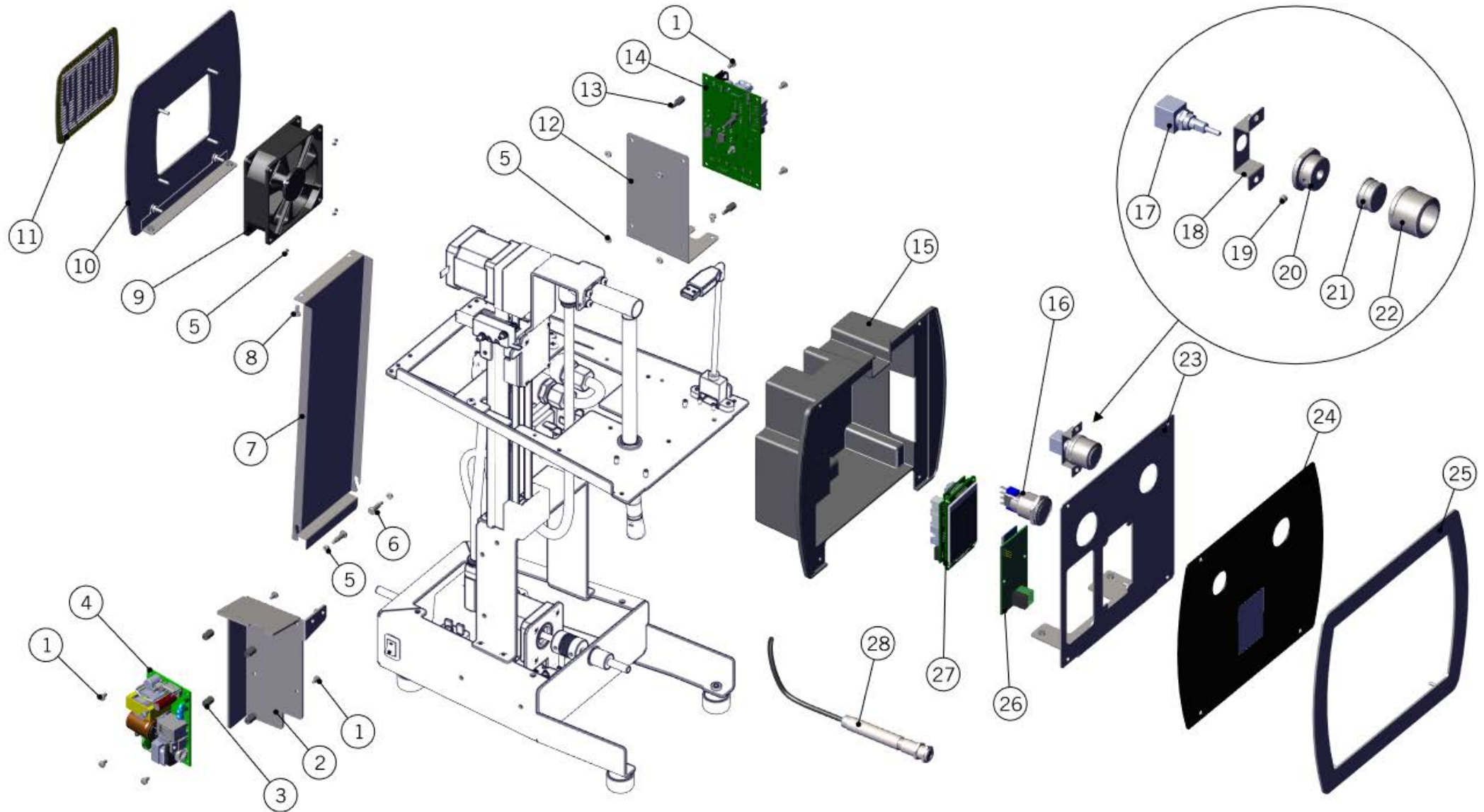
1	C.1.564	COVER EXTERNAL WALLY	COPERTURA ESTERNA WALLY
2	I.1.045	SCREW M3X12 PHILLIPS COUNTERSUNK S/S A2	VITE M3X12 TS A CROCE INOX A2
3	VITE3X8	SCREW M3X8 PHILLIPS ROUND-PAN S/S A2	VITE M3X8 TCB A CROCE INOX A2
4	C.1.540	COVER TOP WALLY WITH BRACKETS	COVER SUPERIORE WALLY CON STAFFE
5	DADOINOXM3	NUT M3 H2 WR5,5 S/S A2	DADO M3 H2 CH5,5 INOX A2
6	VITE3X16	SCREW M3X16 CHEESE BRASS	VITE M3X16 TC A TAGLIO OTTONE
7	F.1.192	SUPPORT WALLY TOF SENSOR	SUPPORTO SENOSRE TOF WALLY
8	E.1.076	ULTRASOUND TOF DISTANCE SENSOR	SENSORE DI DISTANZA A ULTRASUONI TDV
9	C.1.542	COVER SHEET METAL WALLY SENSOR	COVER LAMIERA SENSORE WALLY
10	F.9.004.R	MAGNET KIT	KIT MAGNETE PER RICAMBI
11	F.1.189	BLOCK FOR PLATFORM TILTING	BLOCCO PER OSCILLAZIONE PIATTAFORMA
12	DADOINOXM4	NUT M4 H3 WR7 S/S A2	DADO M4 H3 CH7 INOX A2
13	CL22/V	SCREW M4X12 PHILLIPS BUTTON HEAD S/S A2	VITE M4X12 TPB A CROCE INOX A2
14	C.1.561	GRID WITH FRAME WALLY	GRIGLIA CON RINGHIERA WALLY
15	F.3.145	PIN GRID TILTING	PERNO DI OSCILLAZIONE GRIGLIA
16	F.1.152	BUSHING FLANGED 6X8X6	BOCCOLA FLANGIATA 6X8X6
17	C.1.569	GRID FRAME WALLY	CORNICE GRIGLIA WALLY
18	F.1.188	DRAIN BOX WALLY	POZZETTO DI RACCOLTA WALLY
19	C.1.552	COVER TRAY DRAIN WALLY	COPERTURA BACINELLA WALLY
Item	Part number/Codice	Description	Descrizione



la marzocco

handmade in florence

WALLY MILK ASSEMBLY





la marzocco

handmade in florence

WALLY MILK ASSEMBLY

Wally Milk

1	I.1.054	SCREW M3X5 PHILLIPS ROUND PAN S/S A2	VITE M3X5 TCB A CROCE INOX A2
2	C.1.551	BRACKET POWER SUPPLY WALLY	STAFFA ALIMENTATORE WALLY
3	I.6.012	STANDOFF HEX THREADED	DISTANZIALE ESAGONALE FILETTATO
4	E.2.075	POWER SUPPLY 24V 130W ACD	ALIMENTATORE 24V 130W ACD
5	DADOINOXM3	NUT M3 H2 WR5,5 S/S A2	DADO M3 H2 CH5,5 INOX A2
6	I.1.127	SCREW SHOULDER M3x10 - DIN 923	VITE A COLLETTO M3x10 - DIN 923
7	C.1.550	COVER BACK WALLY	COVER POSTERIORE WALLY
8	VITE3X8	SCREW M3X8 PHILLIPS ROUND-PAN S/S A2	VITE M3X8 TCB A CROCE INOX A2
9	E.4.304	WIRING FAN 12V CABLE 70mm	CABLAGGIO VENTOLA 12V CAVO 70mm
10	C.1.562	FRAME BACK POLISHED WALLY	CORNICE POSTERIORE LUCIDA WALLY
11	D.4.045	LOGO WALLY	LOGO WALLY
12	C.1.559	BRACKET ELECTRONIC BOARD WALLY	STAFFA SCHEDA ELETTRONICA WALLY
13	I.2.006	SPACER M3X8-M3X5 WR5 BRASS TREATED	DISTANZIALE M3X8-M3X5 CH5 OTTONE TR.
14	E.1.073	WALLY MILK BOARD	SCHEDA WALLY MILK
15	F.1.186	COVER FRONT WALLY	COVER ANTERIORE WALLY
16	E.2.094	PUSH BUTTON SWITCH M22x1	INTERRUTTORE ANTIVANDALO M22x1
17	E.2.062	ENCODER LEVA	ENCODER LEVA
18	C.1.547	BRACKET FOR ENCODER	STAFFA PER ENCODER
19	I.1.141	SOCKET GRUB SCREW M4X3 S/S	GRANO M4X3 A BRUGOLA INOX
20	F.3.141	BODY SPLINED ENCODER HANDLE WALLY	CORPO CALETTATO MANOPOLA ENCODER WALLY
21	F.3.143	BODY FOR ENCODER BUTTON WALLY	CORPO PER PULSANTE ENCODER WALLY
22	F.3.140	BODY ROTATING FOR ENCODER WALLY	CORPO ROTANTE PER ENCODER WALLY
23	C.1.548	SHEET METAL SUBSTAINING SCREEN WALLY	LAMIERA DI SOSTEGNO SCHERMO WALLY
24	F.1.191	GLASS HMI WALLY	VETRO HMI WALLY
25	C.1.563	FRAME FRONT POLISHED WALLY	CORNICE FRONTALE LUCIDA WALLY
26	E.4.201	WIFI BOARD HOME MACHINE	SCHEDA WIFI HOME MACHINE
27	E.1.042.01	DISPLAY GRAPHIC W/ 2 BOARDS	DISPLAY GRAFICO C/ 2 SCHEDE
28	E.1.077	TEMPERATURE INFRARED W/ WIRINGS	SENSORE DI TEMPERATURA CABLATO

Item

Part number/Codice

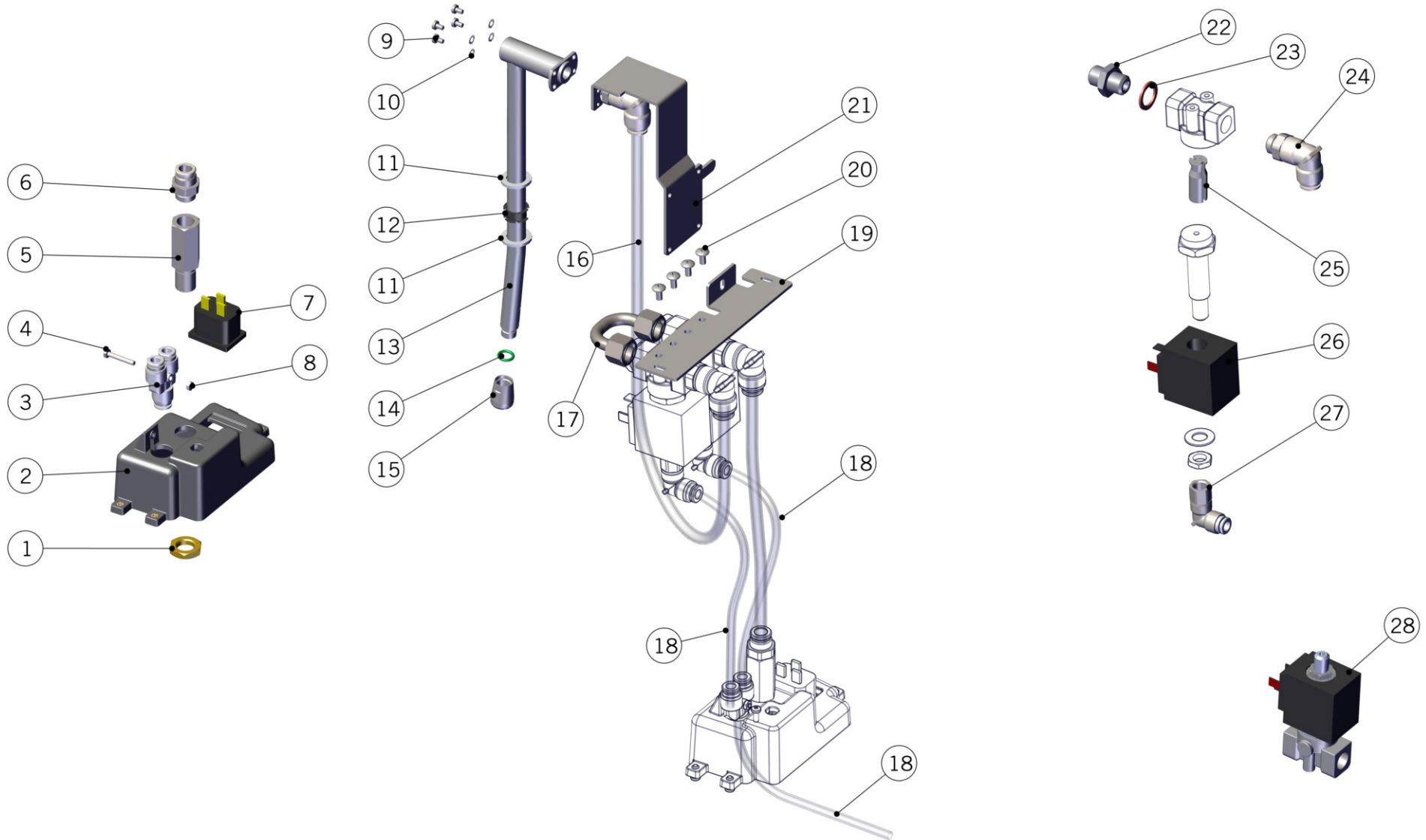
Description

Descrizione



la marzocco
handmade in florence

WALLY MILK ASSEMBLY





la marzocco

handmade in florence

WALLY MILK ASSEMBLY

Wally Milk

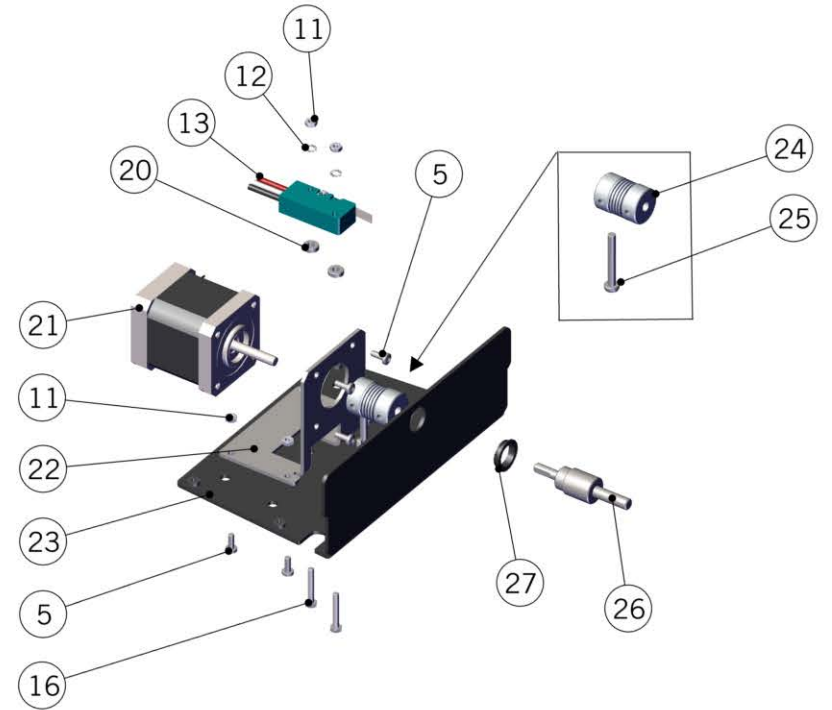
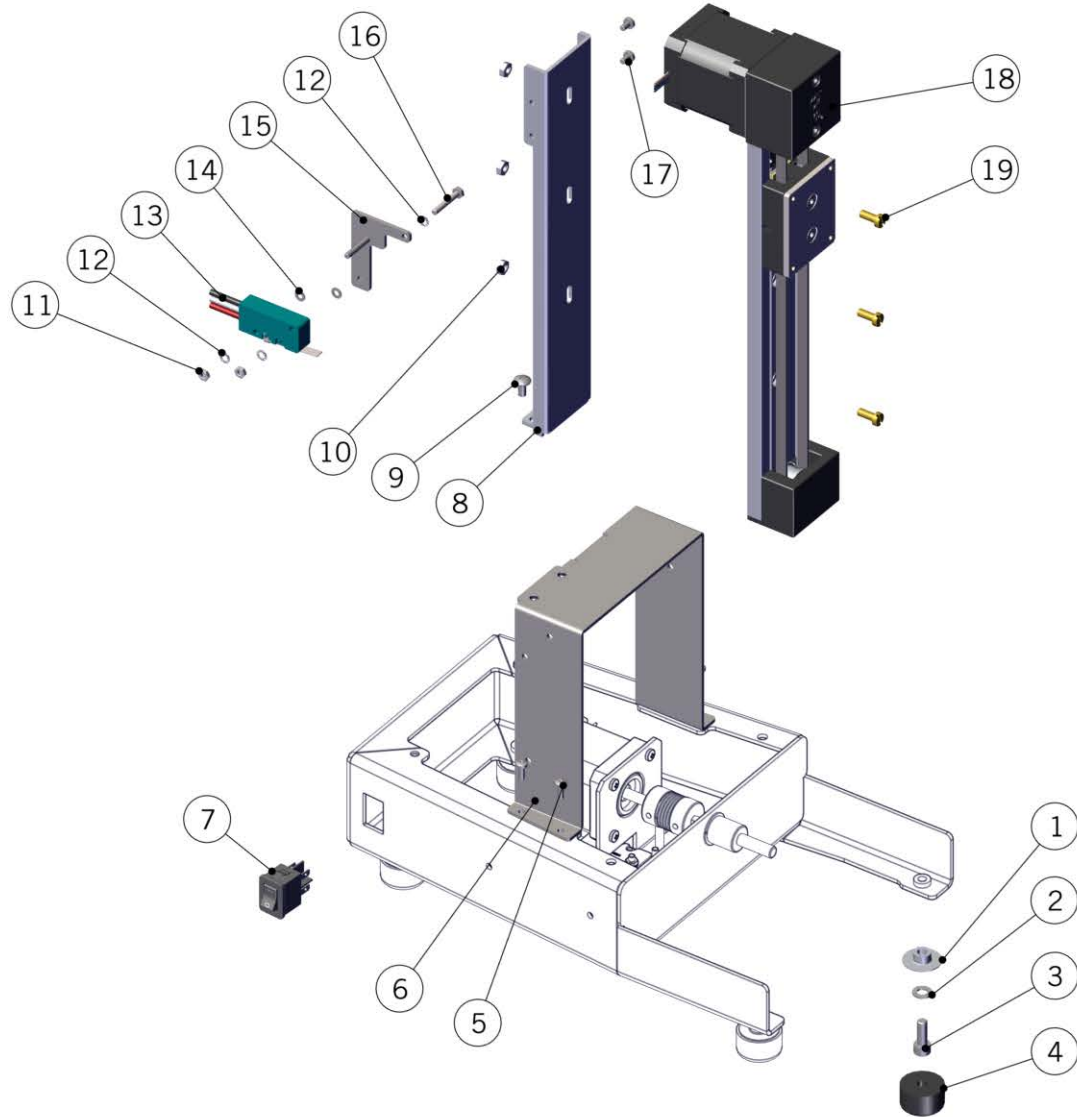
1	L146	NUT G1/4 H4,5 WR19 BRASS	DADO G1/4 H4,5 CH19 OTTONE
2	F.1.187	COVER BASE WALLY	COPERCHIO BASE WALLY
3	A.7.017	FITTING PUSH-IN Y 6-6-6 PPSU	RACCORDO RAPIDO Y 6-6-6 PPSU
4	I.1.055	SCREW M3X20 HEX HEAD S/S A2	VITE M3X20 TE INOX A2
5	A.5.146	FITTING G1/4M-G1/4F WR17 H51 S/S	RACCORDO G1/4M-G1/4F CH17 H51 INOX
6	A.5.147	FITTING PUSH-IN STRAIGHT 8-G1/4M S/S	RACCORDO RAPIDO DRITTO 8-G1/4M INOX
7	E.4.246	PLUG PANEL 10A 250V	SPINA DA PANNELLO 10A 250V
8	DADOINOXM3	NUT M3 H2 WR5,5 S/S A2	DADO M3 H2 CH5,5 INOX A2
9	I.1.054	SCREW M3X5 PHILLIPS ROUND PAN S/S A2	VITE M3X5 TCB A CROCE INOX A2
10	I.3.007	TOOTH LOCK WASHER 3,4X6X0,5 GALVANIZED	ROND.DENTATA 3,4X6X0,5 ZINCATA
11	I.6.019	WASHER WAND COVERING	RONDELLA DI COPERTURA LANCIA
12	F.1.194	CLIP BEARING Ø12-H6	CUSCINETTO A CLIP Ø12-H6
13	T.2.015	STEAM WAND PERFORMANCE TOUCH WALLY	LANCIA VAPORE PERFORMANCE TOUCH WALLY
14	H.1.027	O-RING 1,78x7,65 VITON 70 ShA	O-RING 1,78x7,65 VITON 70 ShA
15	A.5.148	TORNADO TIP 60°	DIFFUSORE TORNADO 60°
16	T.3.011	PFA TUBE 8MM – 6MM	TUBO PFA 8MM – 6MM
17	T.1.282	TUBE WATER SENSOR - INLET FITTING	TUBO EV1 - EV2 WALLY
18	T.3.007	PFA TUBE 6mm - 4mm	TUBO PFA 6mm - 4mm
19	C.1.560	CROSSBAR BLOCKING	TRAVERSA DI BLOCCAGGIO
20	I.1.006	SCREW M4X8 PHILLIPS BUTTON HEAD S/S A2	VITE M4X8 TPB A CROCE INOX A2
21	C.1.558	BRACKET STEAM WAND WALLY	STAFFA LANCIA VAPORE WALLY
22	L037/3.01	NIPPLE G1/4M-G1/4M WR19 H25.5 BRASS TR.	NIPPLO G1/4M-G1/4M CH19 H25.5 OT. TR.
23	L100/1A	WASHER 13,5X19X1,5 COPPER	RONDELLA 13,5X19X1,5 RAME
24	A.7.018	FITTING PUSH-IN 90° 8-G1/4M PPSU	RACCORDO RAPIDO 90° 8-G1/4M PPSU
25	L100/H	PLUNGER SOLENOID VALVE 3 WAY VITON	NUCLEO ELETTROVALVOLA 3 VIE VITON
26	B.2.026	COIL SOLENOID VALVE 24	BOBINA PER EV 24V
27	A.7.015	FITTING PUSH-IN 90° 6-G1/8F PPSU	RACCORDO RAPIDO 90° 6-G1/8F PPSU
28	B.2.036	SOLENOID VALVE D.5 MM 3 WAY 24V	ELETTROVALVOLA D.5 MM 3 VIE 24V

Item Part number/Codice

Description

Descrizione

WALLY MILK ASSEMBLY





la marzocco

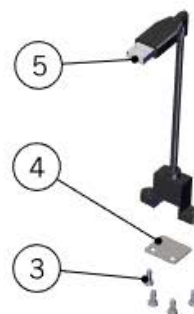
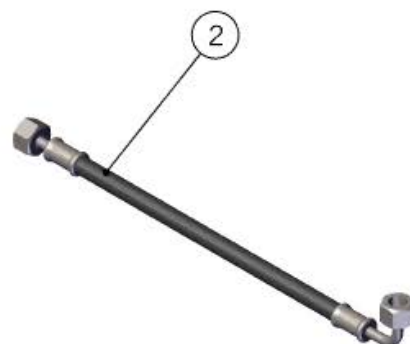
handmade in florence

WALLY MILK ASSEMBLY

Wally Milk

1	I.1.158	SPACER FOR WALLY FEET	DISTANZIALI PER PIEDINI WALLY
2	I.1.039	WASHER 5,4X10X1 S/S A2	RONDELLA 5,4X10X1 INOX A2
3	I.1.011	SCREW M5X14 SOCKET CAP S/S A2	VITE M5X14 TC A BRUGOLA INOX A2
4	F.2.060	FOOT Ø22,5 H10,5	PIEDINO Ø22,5 H10,5
5	VITE3X8	SCREW M3X8 PHILLIPS ROUND-PAN S/S A2	VITE M3X8 TCB A CROCE INOX A2
6	C.1.544	BRACKET FOR LINEAR GUIDE WITH FASTENER	STAFFA PER GUIDA LINEARE CON FASTENER
7	E.2.095	SWITCH ROCKER DOUBLE-POLE 10A	INTERRUTTORE A TASTO BIPOLARE 10A
8	C.1.553	UPRIGHT GUIDE FIXING	MONTANTE FISSAGGIO GUIDA
9	I.1.006	SCREW M4X8 PHILLIPS BUTTON HEAD S/S A2	VITE M4X8 TPB A CROCE INOX A2
10	DADOINOXM4	NUT M4 H3 WR7 S/S A2	DADO M4 H3 CH7 INOX A2
11	DADOINOXM3	NUT M3 H2 WR5,5 S/S A2	DADO M3 H2 CH5,5 INOX A2
12	I.3.007	TOOTH LOCK WASHER 3,4X6X0,5 GALVANIZED	ROND.DENTATA 3,4X6X0,5 ZINCATA
13	E.2.011	MICROSWITCH	MICROINTERRUTTORE
14	RONDINOXGS/3	WASHER 3X6X0,5 S/S A2	RONDELLA 3X6X0,5 INOX A2
15	C.1.554	BRACKET MICROSWITCH	STAFFA MICROSWITCH
16	I.1.055	SCREW M3X20 HEX HEAD S/S A2	VITE M3X20 TE INOX A2
17	I.1.054	SCREW M3X5 PHILLIPS ROUND PAN S/S A2	VITE M3X5 TCB A CROCE INOX A2
18	E.7.016	LINEAR GUIDE 130 MM	GUIDA LINEARE 130 MM
19	VITE4X10	SCREW M4X10 CHEESE BRASS	VITE M4X10 TC A TAGLIO OTTONE
20	I.3.004	SPACER 3,5X8X2,5 AL	DISTANZIALE 3,5X8X2,5 ALLUMINIO
21	E.7.015	STEPPER MOTOR NEMA 17	MOTORE PASSO PASSO NEMA 17
22	C.1.545	BRACKET MOTOR WALLY	STAFFA MOTORE WALLY
23	C.1.556	BASE FOR MOTOR WALLY PAINTED	BASE PER MOTORE WALLY VERNICIATA
24	C.1.549	FLEXIBLE SHAFT COUPLING JOINT Ø5-Ø5	GIUNTO DI TRASMISSIONE A SOFFIETTO Ø5-Ø5
25	I.1.068	SCREW M4X30 PHILLIPS ROUND-PAN S/S A2	VITE M4X30 TCB A CROCE INOX A2
26	F.3.142	SHAFT TRANSMISSION WALLY	ALBERO DI TRASMISSIONE WALLY
27	F.1.190	CLIP METAL SHEET Ø12-H2	CLIP PER LAMIERA Ø12-H2
Item	Part number/Codice	Description	Descrizione

ACCESSORIES



9
↓
KIT FOR INTERNAL CONNECTION
TO ESPRESSO MACHINE





la marzocco

handmade in florence

ACCESSORIES

Accessori

1	E.4.225	POWER CORD 16A SCHUKO PLUG	CAVO ALIMENTAZIONE 16A SPINA SHUKO	
	E.4.244	POWER CORD 3XAWG18 USA PLUG	CAVO ALIMENTAZIONE 3XAWG18 SPINA USA	
	E.4.308	POWER CORD 3X1 UK PLUG	CAVO ALIMENTAZIONE 3X1 SPINA UK	
	E.4.309	POWER CORD 3X1 AUS PLUG	CAVO ALIMENTAZIONE 3X1 SPINA AUS	
	E.4.310	POWER CORD 3X1 CHINA PLUG	CAVO ALIMENTAZIONE 3X1 SPINA CHINA	
	E.4.314	POWER CORD 3X1 BRASIL PLUG	CAVO ALIMENTAZIONE 3X1 SPINA BRASILE	
	E.4.315	POWER CORD 3X1 SWISS PLUG	CAVO ALIMENTAZIONE 3X1 SPINA SVIZZERA	
	E.4.316	POWER CORD 3X1 KOREA PLUG	CAVO ALIMENTAZIONE 3X1 SPINA KOREA	
	2	T.2.134	TUBE FLEXIBLE G1/4 L1000 HIGH TEMP.	TUBO FLESSIBILE G1/4 L1000 ALTE TEMP.
	3	VITE3X8	SCREW M3X8 PHILLIPS ROUND-PAN S/S A2	VITE M3X8 TCB A CROCE INOX A2
	4	C.1.555	SHEET METAL USB COVER	LAMIERA DI COPERTURA USB
	5	E.2.040	USB CABLE LINEA PB / STRADA EP	PROLUNGA USB PER LINEA PB / STRADA EP
	6	F.3.146	PITCHER 350 ML / 12 OZ TEFLON COATED	BRICCO 350 ML / 12 OZ TEFLONATO NERO
	7	F.3.147	PITCHER 600 ML / 20 OZ TEFLON COATED	BRICCO 600 ML / 20 OZ TEFLONATO NERO
	8	F.3.148	PITCHER 900 ML / 32 OZ TEFLON COATED	BRICCO 900 ML / 32 OZ TEFLONATO NERO
	9	1012	KIT CONNECTION WALLY - GB5XS DX	KIT CONNESS. WALLY - GB5XS DX
		1013	KIT CONNECTION WALLY - GB5XS SX	KIT CONNESS. WALLY - GB5XS SX
		1014	KIT CONNECTION WALLY - LINEA PB/ KB90 DX	KIT CONNESS. WALLY - LINEA PB / KB90 DX
		1015	KIT CONNECTION WALLY - LINEA PB/ KB90 SX	KIT CONNESS. WALLY - LINEA PB / KB90 SX
		1016	KIT CONNECTION WALLY - LINEA CLASSIC DX	KIT CONNESS. WALLY - LINEA CLASSICA DX
1017		KIT CONNECTION WALLY - LINEA CLASSIC SX	KIT CONNESS. WALLY - LINEA CLASSICA SX	
1023		KIT CONNECTION WALLY - MODBAR STEAM	KIT CONNESS. WALLY - MODBAR STEAM	
Item	Part number/Codice	Description	Descrizione	

LA MARZOCCO SRL
Via La Torre, 14/H
Localita' La Torre
50038 Scarperia e San Piero
(Florence) - ITALY
T. +39 055 849 191
F. +39 055 849 1990
info@lamarzocco.com
www.lamarzocco.com