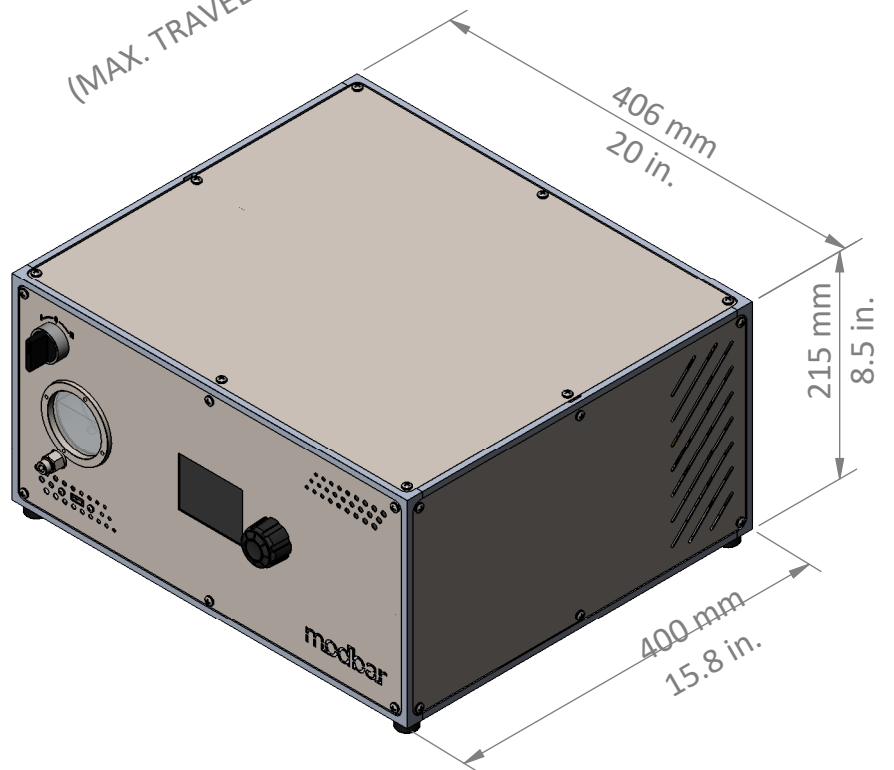
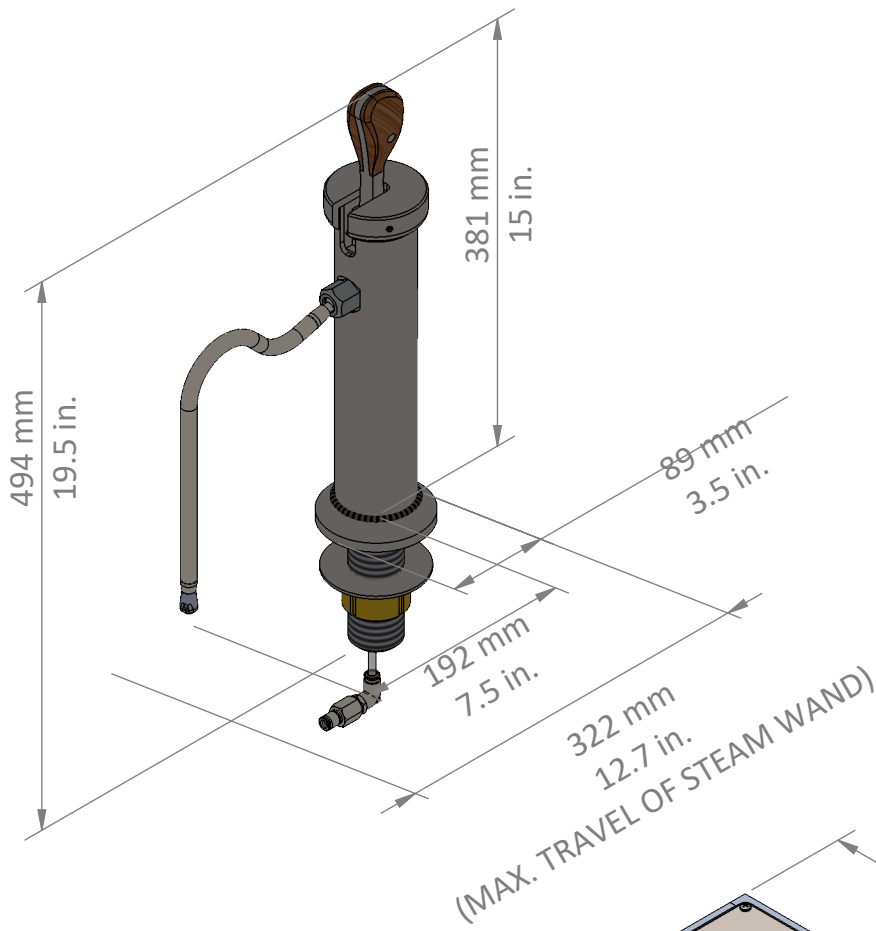


modbar[®]
modular brewing systems

PARTS CATALOG
STEAM SYSTEM

Contents

DIMENSIONS	3
SPECIFICATIONS	4
STEAM TAP	5
STEAM MODULE	9

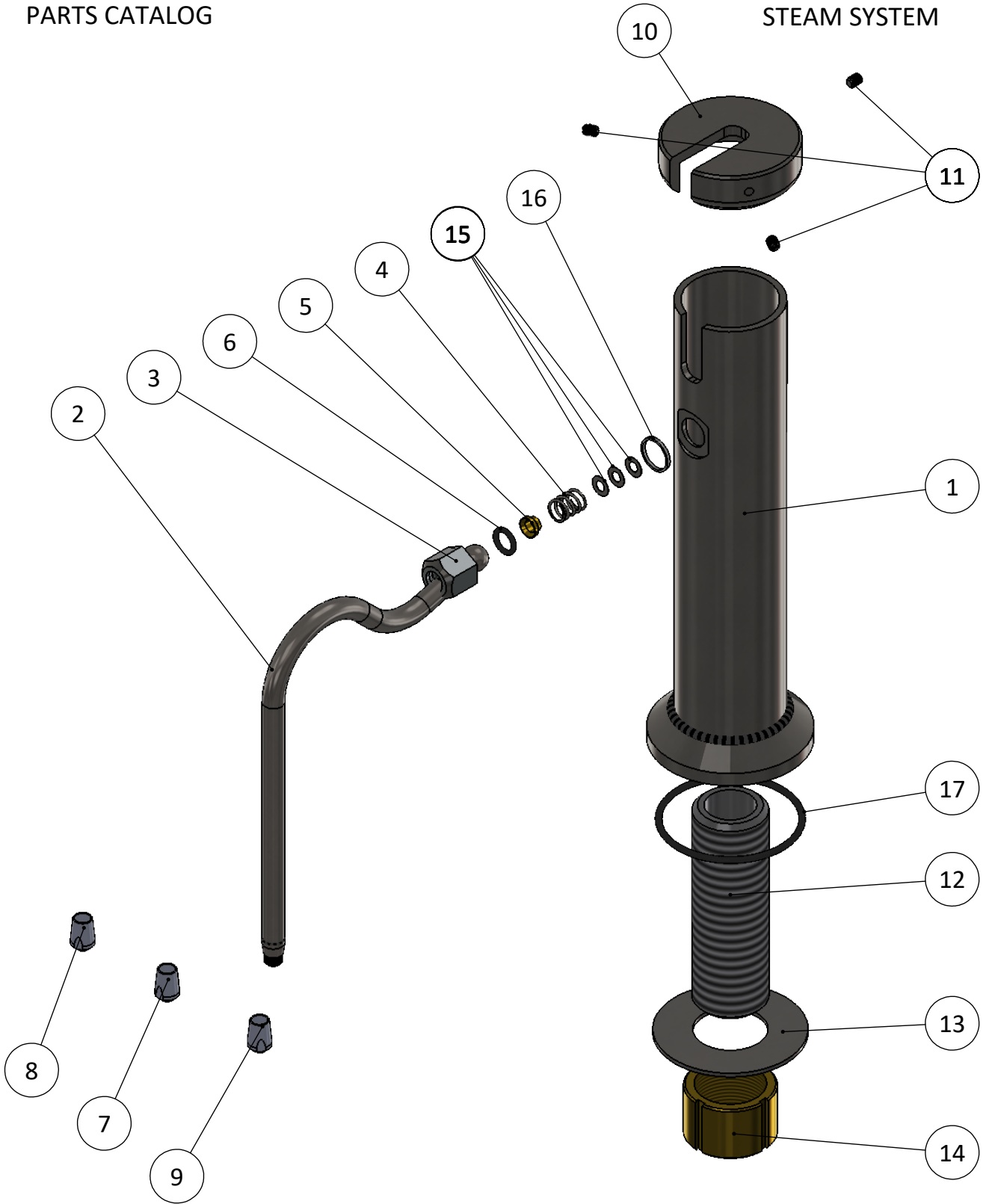


SPECIFICATIONS

Electical Voltage	V	208-240V
Weight	Kg	23 (Module) 5.5 (Tap)
	lb	50 (Module) 12 (Tap)
Wattage	W	2500
Required Available Amperage	A	11
Frequency	Hz	50/60
Capacity	liters	4.2

PARTS CATALOG

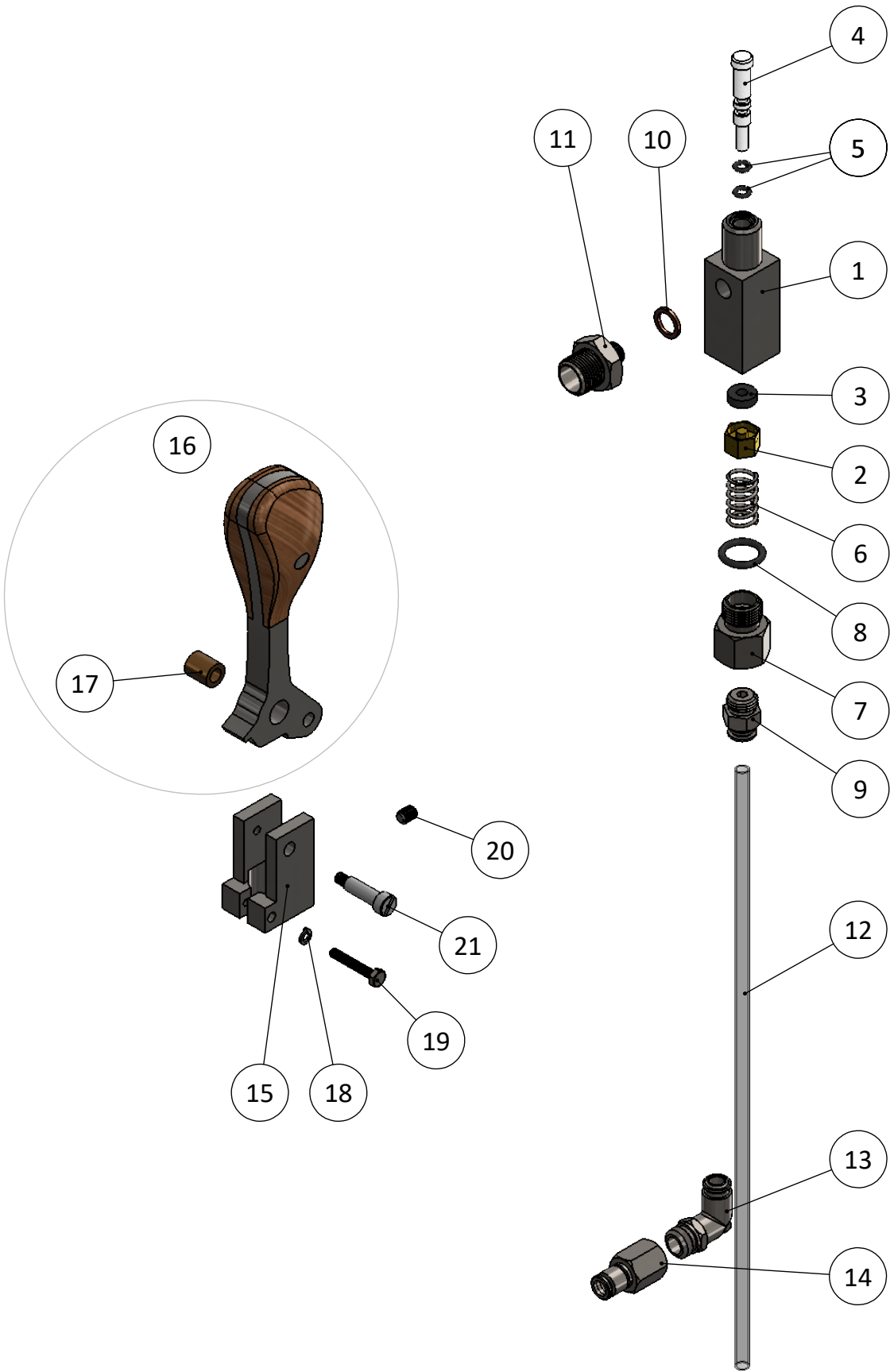
STEAM SYSTEM



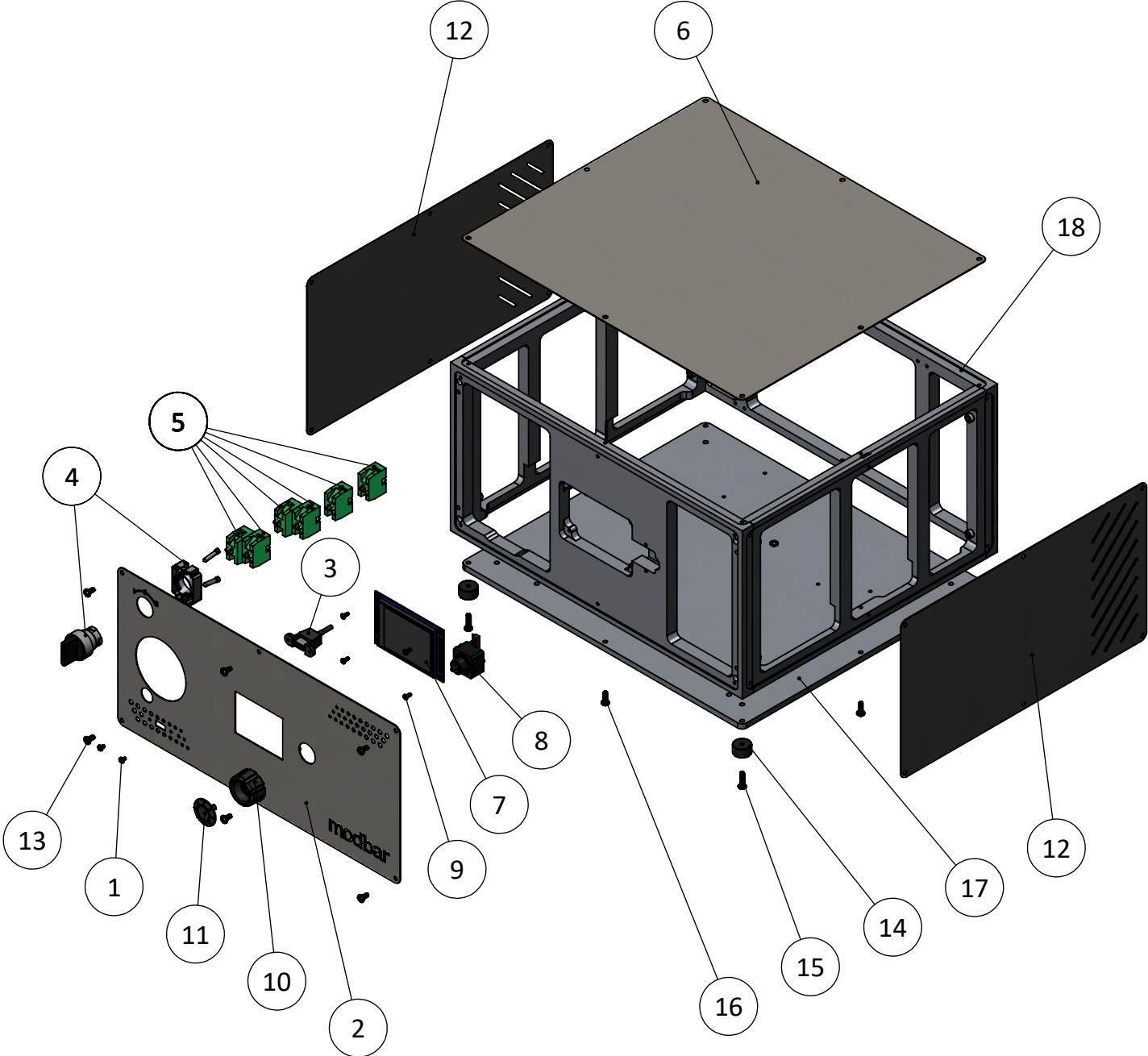
ITEM NO.	PART NUMBER	DESCRIPTION
1	A-0034-01	STEAM TAP BODY
2	A-0023-01	STEAM WAND ASSEMBLY
3	P-0061-02	STEAM WAND ACORN NUT
4	M-0130-02	STEAM WAND SPRING
5	P-0083-02	BRASS SLEEVE FOR STEAM BALL
6	M-0145-03	O-RING FOR STEAM WAND ACORN NUT
7	P-0115-01	STEAM TIP 0.8MM
8	P-0116-01	STEAM TIP 1.4MM
9	P-0056-01	STEAM TIP 1.6MM
10	M-0080-02	STEAM TAP CAP
11	M-0210-01	SLOTTED SET SCREW M6 X 8MM
12	M-0074-01	THREADED MOUNTING TUBE
13	M-0076-01	GENERAL FLAT WASHER
14	M-0075-02	UNDER COUNTER RETAINING NUT
15	M-0162-01	SHIM, 12 X 6 X 0.3MM
16	M-0160-01	PLASTIC GASKET
17	M-0151-01	O-RING, STEAM BASE

PARTS CATALOG

STEAM SYSTEM



ITEM NO.	PART NUMBER	DESCRIPTION
1	M-0109-06	STEAM VALVE BODY, SS
2	M-0112-01	STEAM VALVE SEAL HOLDER
3	P-6014-01	STEAM VALVE SEAL GASKET
4	M-0111-03	DRIVE SHAFT FOR SEAT VALVE, PEEK
5	M-0110-02	O-RING FOR STEAM SEAT VALVE DRIVE SHAFT
6	M-0113-01	SPRING, FOR SEAT VALVE
7	P-0100-02	FITTING, 3/8, SEAT VALVE SUPPLY SS
8	P-0062-01	O-RING FOR ACORN NUT FITTING
9	P-0110-01	FITTING, FRACTIONAL TUBE X MALE UNI THREAD
10	P-0002-01	COPPER CRUSH WASHER FOR 1/8 BSPP MALE PIPE
11	P-0063-01	FITTING, STEAM WAND BALL, 1/8 X 3/8 MBSPP
12	R-0028-01	TEFLON TUBING, .25" DIAMETER, .03" WALL
13	P-0111-01	FITTING, FRACTIONAL TUBE ELBOW X MALE UNI
14	P-0113-01	INSERT FOR COUPLER, HIGH TEMP
15	M-0084-02	STEAM VALVE BRACKET
16	A-0001-01	STEAM HANDLE ASSEMBLY
17	F.9.009	BRONZE BUSHING
18	M-0101-01	SPLIT RING LOCK WASHER, M4
19	M-0146-01	HEX HEAD CAP SCREW, M4X.07, 25MM LENGTH
20	M-0210-01	SLOTTED SET SCREW, M6 X 1, 8MM LENGTH
21	M-0192-01	SHOULDER SCREW, SLOTTED, 10-32 X .75"

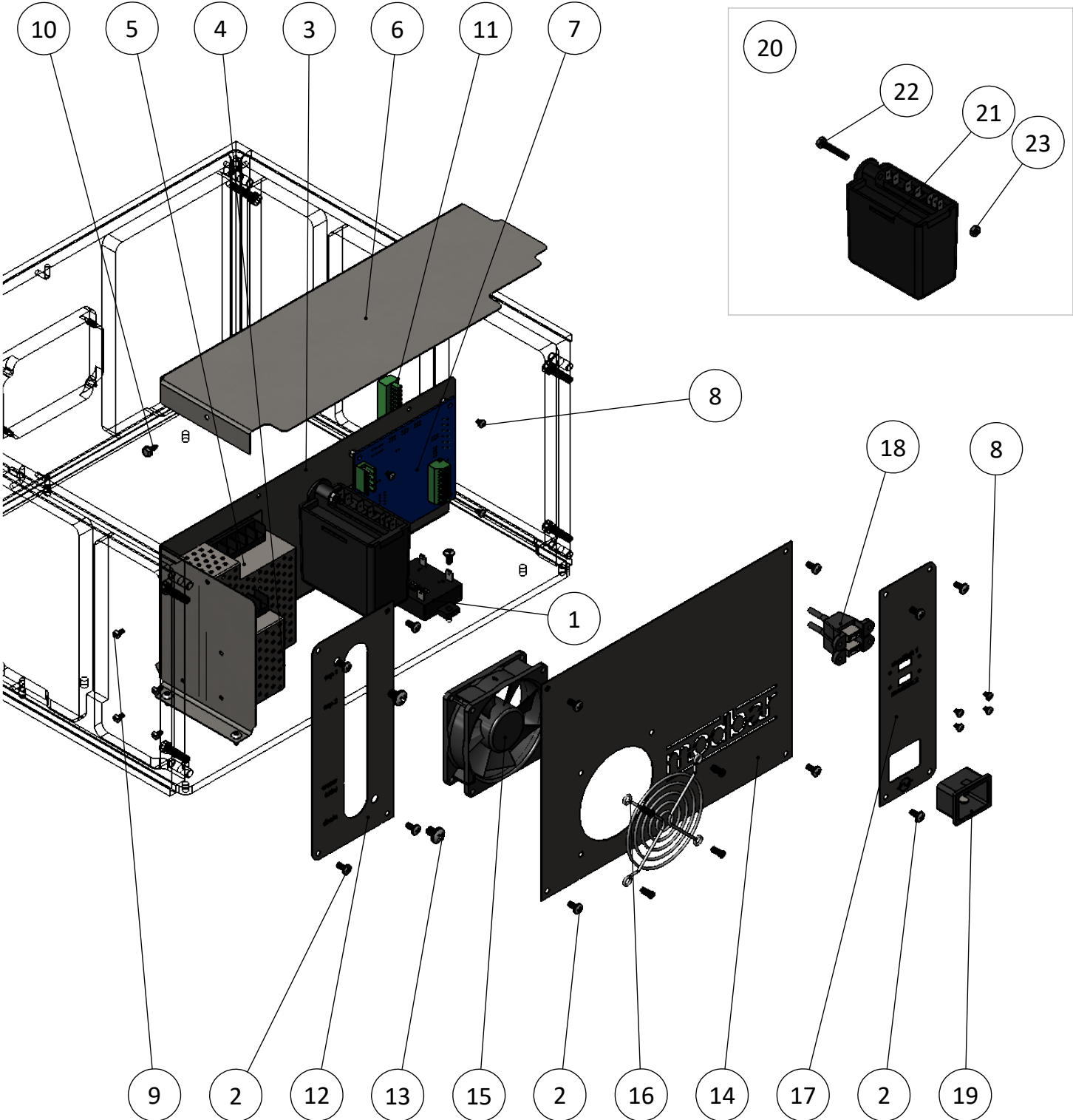


ITEM NO.	PART NUMBER	DESCRIPTION
1	M-0096-01	M3 X .05 X 4MM PAN HEAD PHILLIPS MACHINE SCREW
2	M-0057-04	STEAM MODULE FRONT PANEL
3	E-0024-01	USB-A PANEL MOUNT CONNECTOR
4	E-0009-01	SELECTOR SWITCH AND MOUNTING BRACKET
5	E-0008-01	CONTACT BLOCK, NORMALLY OPEN
6	M-0058-03	PANEL, TOP
7	EA-0008-04	MAIN DISPLAY BOARD
8	E-0032-01	NAVIGATION JOYSTICK ENCODER
9	M-0167-01	#4-40 X 1/4" PHILLIPS PAN HEAD MACHINE SCREW
10	E-0044-01	ENCODER KNOB, OUTER
11	E-0045-01	ENCODER KNOB, INNER
12	M-0068-04	PANEL, STEAM MODULE, SIDE COVER
13	M-0018-02	M4 X 0.7 X 8MM PHILLIPS PAN HEAD MACHINE SCREW
14	M-0042-01	RUBBER BUMPER
15	M-0038-02	M4 X 0.8 X 16MM PHILLIPS HEAD CAP SCREW
16	M-0037-02	M4 X 0.8 X 12MM PHILLIPS HEAD CAP SCREW
17	M-0056-01	STEAM MODULE MOUNTING PLATE
18	A-0071-01	STEAM MODULE FRAME ASSEMBLY

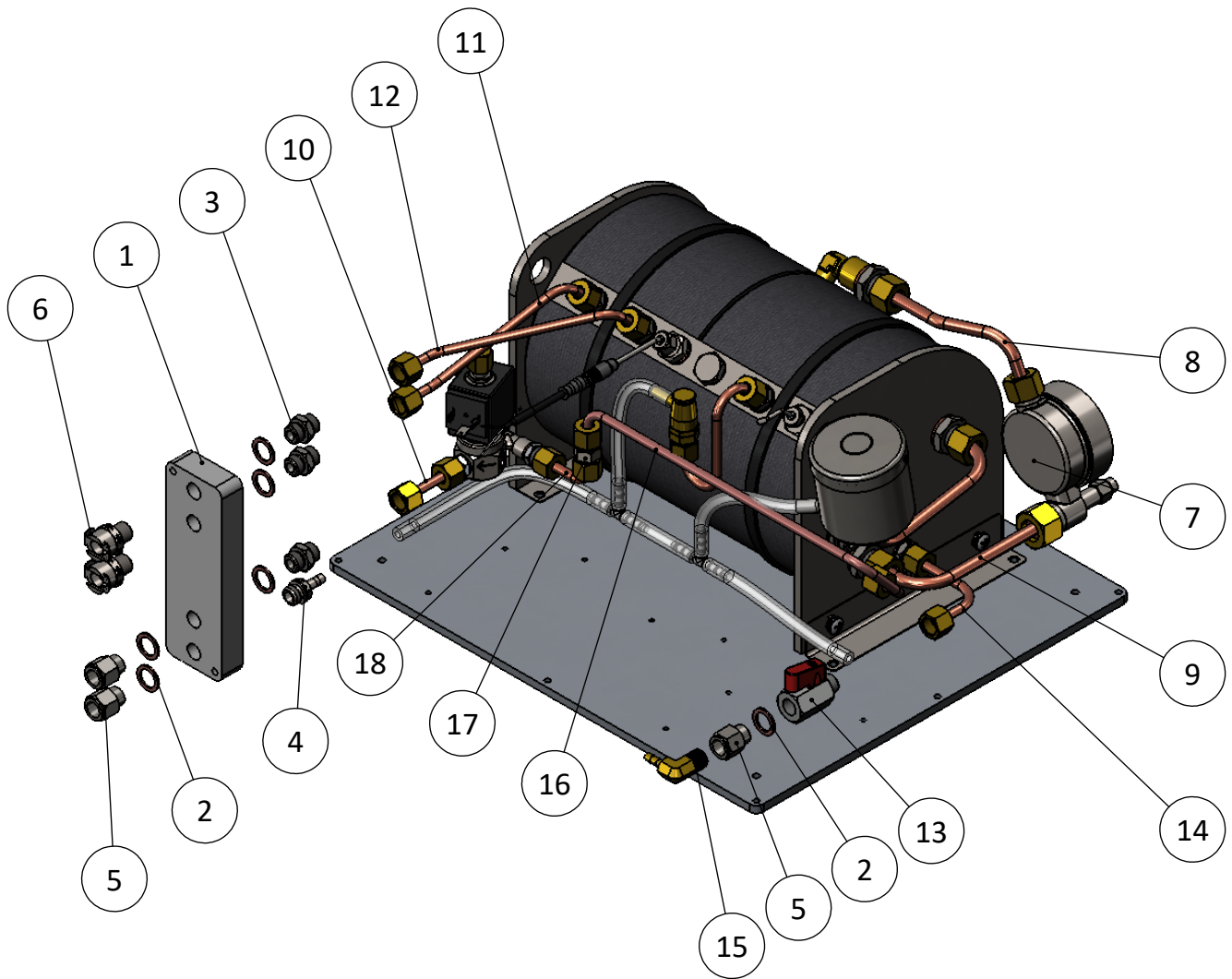
modbar

PARTS CATALOG

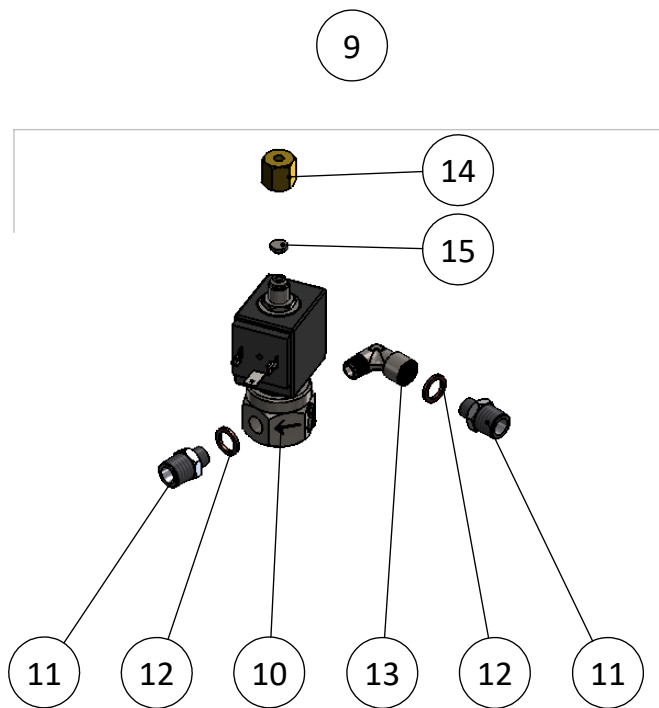
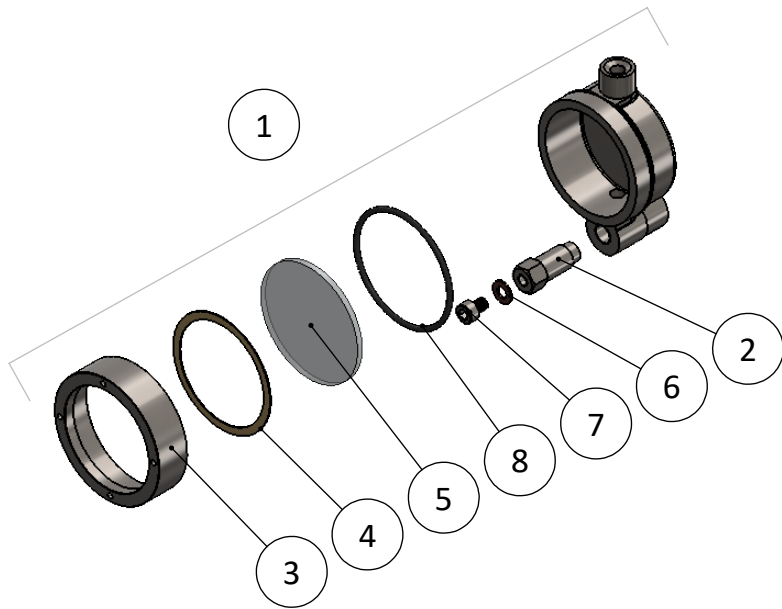
STEAM SYSTEM



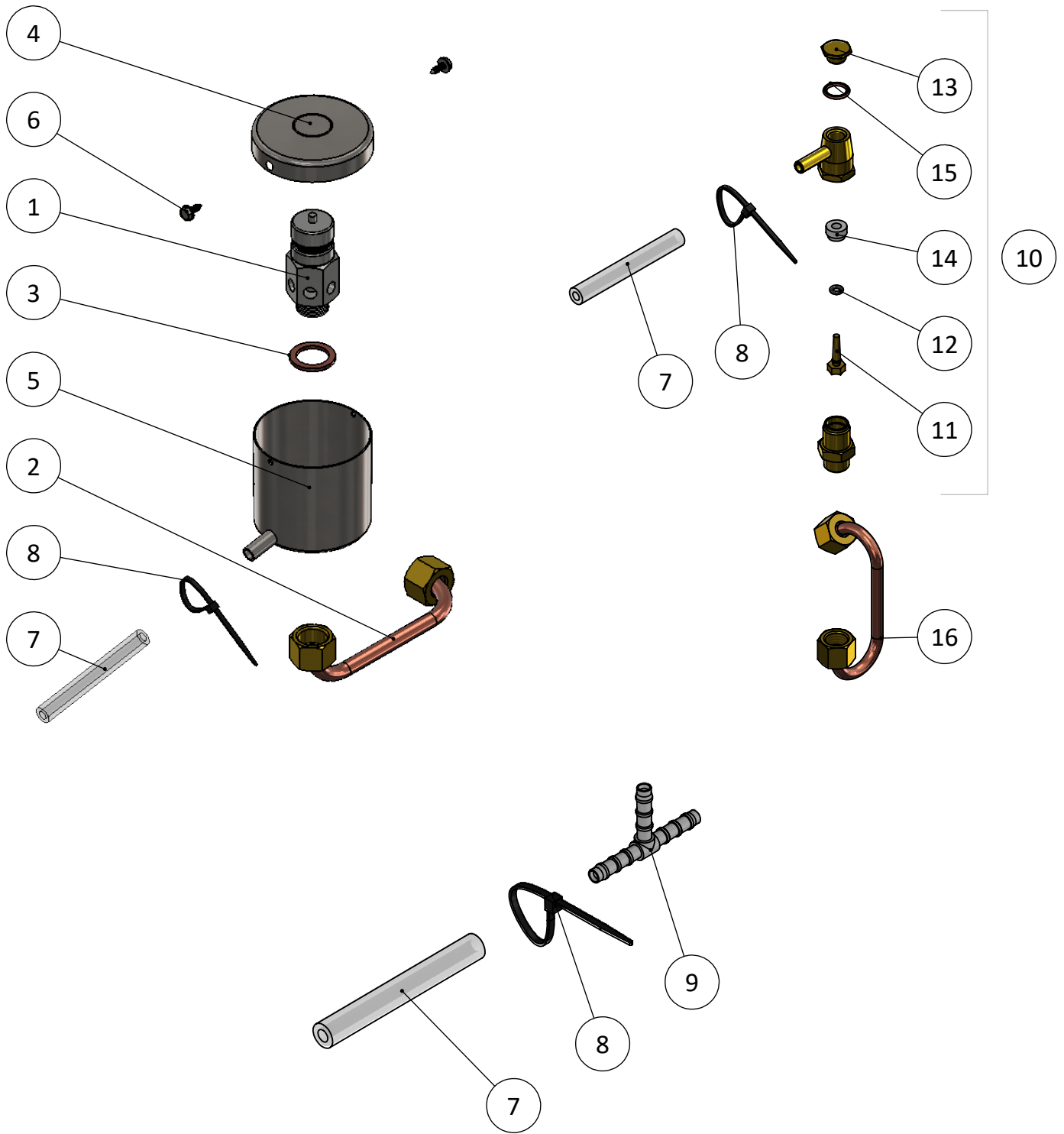
ITEM NO.	PART NUMBER	DESCRIPTION
1	E-0004-01	SOLID STATE RELAY, 240VAC 10A
2	M-0018-02	M4 X 0.7 X 8MM PHILLIPS PAN HEAD MACHINE SCREW
3	M-0062-04	PANEL, STEAM MODULE, ELECTRONICS ENCLOSURE
4	E-0002-01	POWER SUPPLY, 5V
5	E-0003-01	POWER SUPPLY, 24V
6	M-0063-02	PANEL, STEAM MODULE, ELECTRONICS ENCLOSURE COVER
7	EA-0006-04	MAIN BOARD
8	M-0096-01	M3 X .05 X 4MM PAN HEAD PHILLIPS MACHINE SCREW
9	M-0097-02	M3 X 0.5 X 6MM SLOTTED PAN MACHINE SCREW
10	M-0102-01	#6 SHEET METAL SCREW, 3/8 LENGTH
11	E-0095-01	12-TERMINAL BLOCK CONNECTOR
12	M-0059-03	PANEL, STEAM MODULE, MANIFOLD PLATE
13	M-0032-02	SCREW, M6 X 1 X 8MM, PHILLIPS
14	M-0060-01	PANEL, STEAM MODULE, ELECTRONICS COVER
15	E-0054-01	FAN
16	M-0020-01	STEEL FAN GUARD
17	M-0061-06	PANEL, STEAM MODULE, POWER INLET
18	E-0024-01	USB-A PANEL MOUNT CONNECTOR
19	E-0108-01	APPLIANCE INLET
20	A-0074-01	FILL LEVEL CONTROL ASSEMBLY
21	LAD050	FILL LEVEL REGULATOR
22	M-0146-01	HEX HEAD CAP SCREW, M4 X 0.7, 25MM LENGTH
23	M-0021-01	NUT, HEX, M4 X 0.7



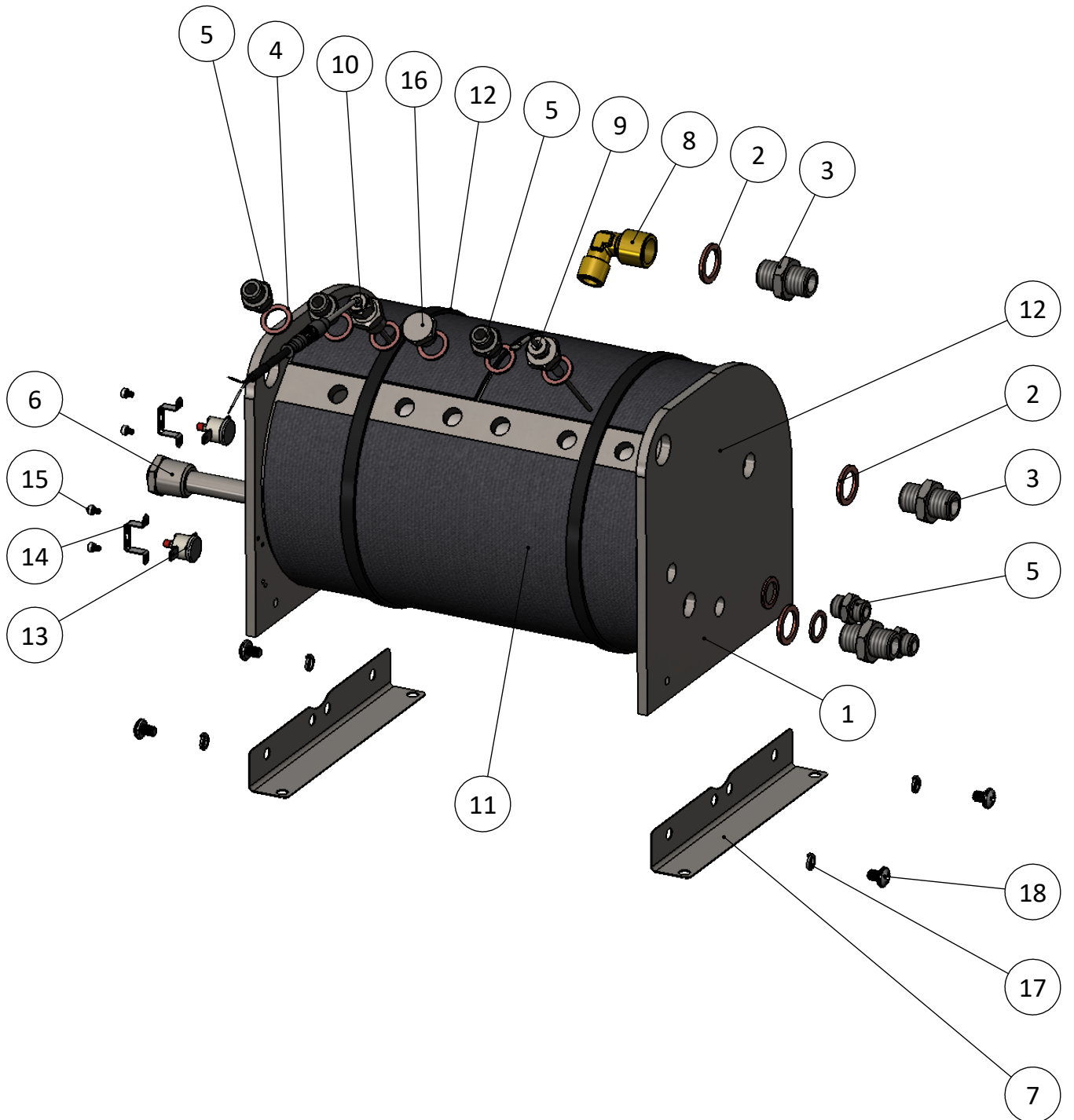
ITEM NO.	PART NUMBER	DESCRIPTION
1	P-0018-02	STEAM MANIFOLD, WATER INLET - 4 PORT
2	P-0005-01	WASHER 13,5X19X1,5 COPPER
3	P-0009-02	FITTING, NIPPLE, 1/4 MALE BSPP X 1/4 MALE BSPP
4	P-0015-01	FITTING, 1/4 STEM X 1/4 UNI
5	P-0104-01	1/4 MALE BSPP X FEMALE NPT ADAPTER
6	P-0112-01	1/4 BSPT VALVED COUPLING BODY, HIGH TEMP
7	P-0036-01	SIGHT GLASS, COMPLETE, LINEA
8	P-0029-03	TUBE ASSEMBLY, SIGHT GLASS TO BOILER TOP
9	P-0028-01	TUBE ASSEMBLY, SIGHT GLASS TO BOILER BOTTOM
10	P-0026-01	TUBE ASSEMBLY, INLET TO FILL VALVE
11	P-0089-01	TUBE ASSEMBLY, BOILER TO DISPENSER 2
12	P-0088-01	TUBE ASSEMBLY, BOILER TO DISPENSER 1
13	P-0070-01	BALL VALVE
14	P-0077-01	TUBE ASSEMBLY, BOILER TO DRAIN VALVE
15	P-0093-01	3/16" HOSE BARB X 1/4" MALE PIPE
16	P-6019-01	TUBE, STEAM MODULE, CHECK VALVE TO BOILER
17	B.2.027	CHECK VALVE GS3 TREATED
18	T.1.017	TUBE H2O TEE - THERMOSTATIC VALVE GB5



ITEM NO.	PART NUMBER	DESCRIPTION
1	P-0036-01	COMPLETE SIGHT GLASS
2	L120/1CR	SIGHT GLASS DRAIN FITTING
3	L121	SIGHT GLASS CHROME BEZEL
4	L122/B	SIGHT GLASS GASKET 62 X 55 X 0.5
5	L122	SIGHT GLASS, GLASS D 61.5 THK 5
6	L120/2A	WASHER 6.3X12X1 COPPER
7	L120/2	SCREW M6 X 10 SOCKET CAP
8	L122/A	SIGHT GLASS VITON O-RING 8-162
9	A-0037-02	2-Way Valve Assembly, ODE, STEAM
10	P-0127-01	SOLENOID VALVE
11	P-0011-02	FITTING R1/8M-R1/4M WR14 BRASS TREATED
12	P-0002-01	COPPER CRUSH WASHER FOR 1/8 BSPP MALE PIPE
13	P-0133-01	FITTING, ELBOW, 1/8 BSPP MALE X FEMALE
14	P-0130-01	TUBE NUT, 1/8" BSPP
15	P-0131-01	TUBE NUT PLUG FOR 1/8" BSPP



ITEM NO.	PART NUMBER	DESCRIPTION
1	P-0038-01	PRESSURE RELIEF VALVE, CERTIFIED, 2.5 BAR
2	P-0034-01	TUBE ASSEMBLY, BOILER TO PRESSURE RELIEF VALVE
3	P-0042-01	COPPER CRUSH WASHER FOR 3/8 BSPP PIPE
4	M-0129-01	SAFETY VALVE PROTECTION, COVER
5	M-0128-01	SAFETY VALVE PROTECTION
6	M-0102-01	#6 SHEET METAL SCREW, 3/8 LENGTH
7	P-0097-01	HIGH TEMPERATURE SILICONE RUBBER TUBING 3/16" X 3/8"
8	M-0140-01	STANDARD NYLON CABLE TIE, 4", ULTRAVIOLET BLACK
9	P-0139-01	HOSE BARB TEE FITTING, WHITE PLASTIC
10	L193.01	VACUUM BREAKER VALVE RP
11	B.2.013.01	ANTI-SUCTION VALVE SHAFT TREATED
12	F.2.019	O-RING 102 SILICONE 70SH ANTI-SUCTION VALVE
13	B.1.001.T.01	G1/8 ANTI-SUCTION VALVE CAP TREATED
14	B.3.001	PTFE ANTI-SUCTION VALVE SEAL
15	B.1.001.TR	WASHER 10.4 X 14 X 1.6 COPPER
16	P-0126-01	VACUUM BREAKER EXTENSION TUBE



ITEM NO.	PART NUMBER	DESCRIPTION
1	A-0033-01	STEAM BOILER
2	P-0042-01	COPPER CRUSH WASHER FOR 3/8 BSPP PIPE
3	P-0041-01	FITTING, 3/8" X 3/8" MALE BSPP
4	P-0005-01	WASHER 13,5X19X1,5 COPPER
5	P-0009-02	FITTING, NIPPLE, 1/4 MALE BSPP X 1/4 MALE BSPP
6	E-0026-01	CARTRIDGE HEATER, 2500W, 240VAC, 1/2" NPT
7	M-0051-01	UNIVERSAL BOILER MOUNTING BRACKET
8	P-0049-01	FITTING, 3/8" MALE BSPT X 3/8 FEMALE BSPP ELBOW
9	E-0018-01	FILL LEVEL PROBE, TL10/B 140MM FASTON NSF 71220
10	E-0055-01	PT-1000 RTD, COMPLETE WITH 1/4" BSPP FITTING
11	M-0206-01	STEAM BOILER INSULATION, BLACK
12	M-0150-01	HEAVY DUTY NYLON CABLE TIE, 24"
13	E-0020-01	THERMAL RESET SWITCH, SINGLE POLE
14	E-0104-01	BRACKET FOR THERMAL RESET SWITCH
15	M-0228-01	M3 X 0.5 X 4MM SOCKET HEAD CAP SCREW
16	A.5.022	PLUG, 1/4" S/S
17	M-0008-01	M6 LOCK WASHER
18	M-0032-02	SCREW, M6 X 1 X 8MM, PHILLIPS