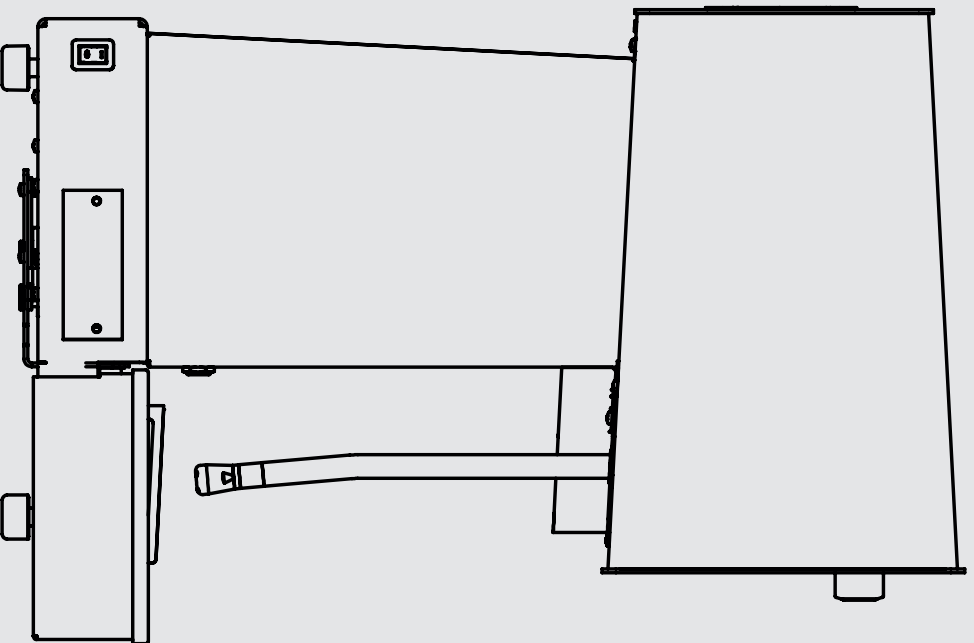


parts catalog

wally milk



V1.0



la marzocco
handmade in florence





la marzocco
handmade in florence

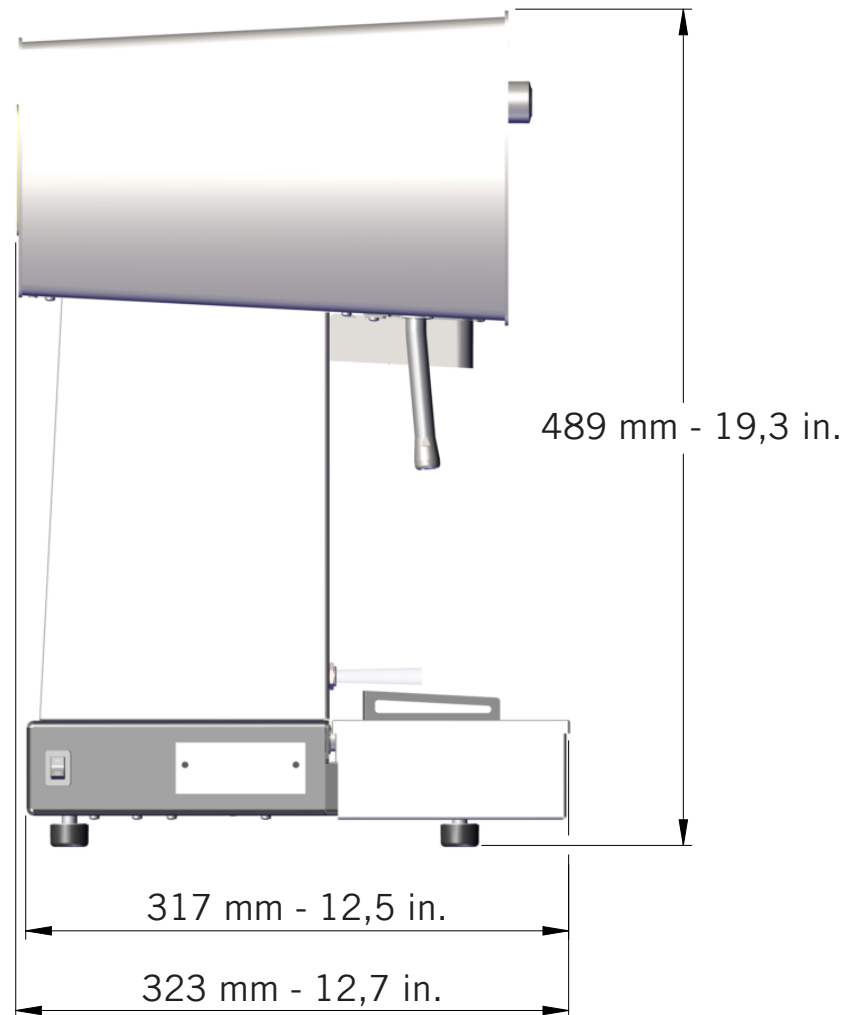
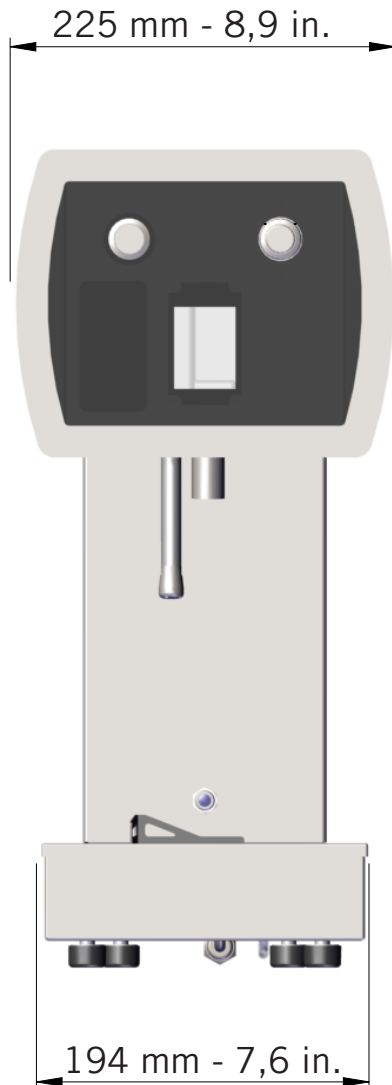
INDEX

| | | Pag. | Ver. |
|---------------------|----------------------------------|-------------|-------------|
| Specifications | Caratteristiche Tecniche | 4 | 1.0 |
| Wally Milk Assembly | Wally Milk Particolari e Assiemi | 6 | 1.0 |
| Accessories | Grinder e Accessori | 14 | 1.0 |



la marzocco
handmade in florence

SPECIFICATIONS





la marzocco

handmade in florence

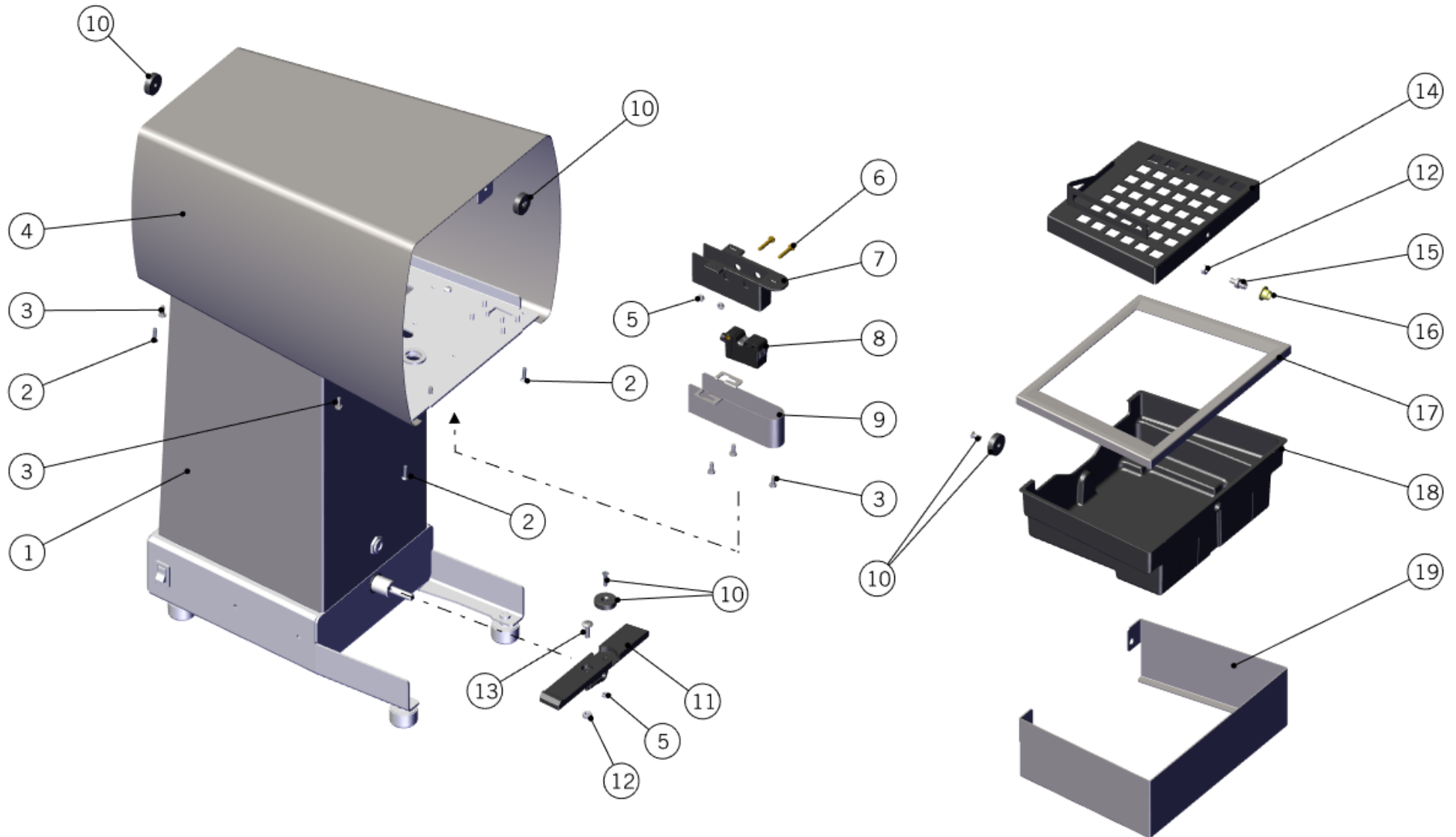
SPECIFICATIONS

| | | | |
|-------------------------------------|--------------------|-----|-------------------------------|
| Caratteristiche Tecniche | Width | mm | 225 |
| | | in | 8,9 |
| | Height | mm | 489 |
| | | in | 19,3 |
| | Depth | mm | 323 |
| | | in | 12,7 |
| | Machine weight | Kg | 10 |
| | | lb | 22 |
| | Electrical Voltage | VAC | 110VAC Single Phase - 47 Watt |
| | | | 220VAC Single Phase - 45 Watt |



la marzocco
handmade in florence

WALLY MILK ASSEMBLY





la marzocco

handmade in florence

WALLY MILK ASSEMBLY

Wally Milk

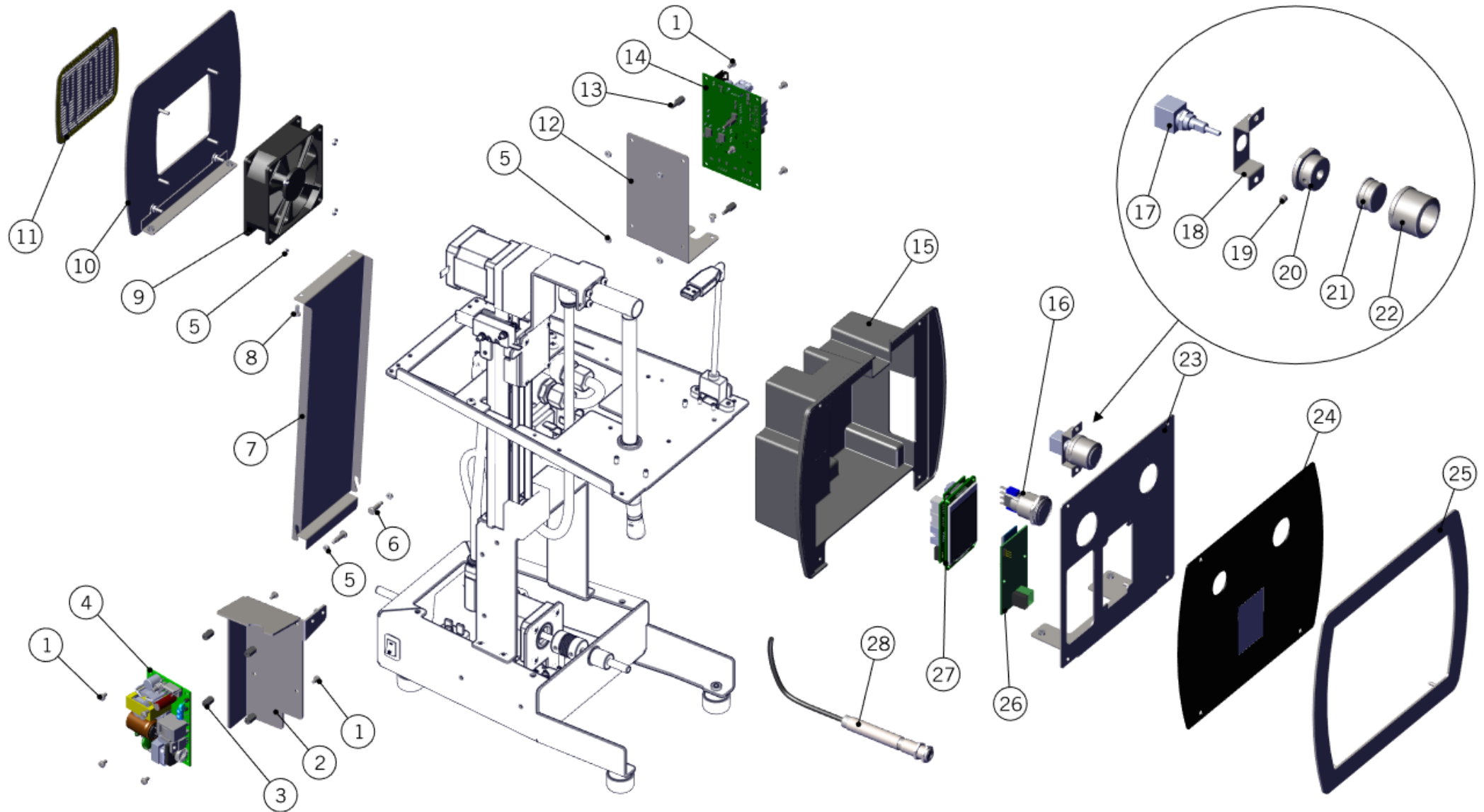
| | | | |
|-------------|---------------------------|---|--------------------------------------|
| 1 | C.1.564 | COVER EXTERNAL WALLY | COPERTURA ESTERNA WALLY |
| 2 | I.1.045 | SCREW M3X12 PHILLIPS COUNTERSUNK S/S A2 | VITE M3X12 TS A CROCE INOX A2 |
| 3 | VITE3X8 | SCREW M3X8 PHILLIPS ROUND-PAN S/S A2 | VITE M3X8 TCB A CROCE INOX A2 |
| 4 | C.1.540 | COVER TOP WALLY WITH BRACKETS | COVER SUPERIORE WALLY CON STAFFE |
| 5 | DADOINOXM3 | NUT M3 H2 WR5,5 S/S A2 | DADO M3 H2 CH5,5 INOX A2 |
| 6 | VITE3X16 | SCREW M3X16 CHEESE BRASS | VITE M3X16 TC A TAGLIO OTTONE |
| 7 | F.1.192 | SUPPORT WALLY TOF SENSOR | SUPPORTO SENOSRE TOF WALLY |
| 8 | E.1.076 | ULTRASOUND TOF DISTANCE SENSOR | SENSORE DI DISTANZA A ULTRASUONI TDV |
| 9 | C.1.542 | COVER SHEET METAL WALLY SENSOR | COVER LAMIERA SENSORE WALLY |
| 10 | F.9.004.R | MAGNET KIT | KIT MAGNETE PER RICAMBI |
| 11 | F.1.189 | BLOCK FOR PLATFORM TILTING | BLOCCO PER OSCILLAZIONE PIATTAFORMA |
| 12 | DADOINOXM4 | NUT M4 H3 WR7 S/S A2 | DADO M4 H3 CH7 INOX A2 |
| 13 | CL22/V | SCREW M4X12 PHILLIPS BUTTON HEAD S/S A2 | VITE M4X12 TPB A CROCE INOX A2 |
| 14 | C.1.561 | GRID WITH FRAME WALLY | GRIGLIA CON RINGHIERA WALLY |
| 15 | F.3.145 | PIN GRID TILTING | PERNO DI OSCILLAZIONE GRIGLIA |
| 16 | F.1.152 | BUSHING FLANGED 6X8X6 | BOCCOLA FLANGIATA 6X8X6 |
| 17 | C.1.569 | GRID FRAME WALLY | CORNICE GRIGLIA WALLY |
| 18 | F.1.188 | DRAIN BOX WALLY | POZZETTO DI RACCOLTA WALLY |
| 19 | C.1.552 | COVER TRAY DRAIN WALLY | COPERTURA BACINELLA WALLY |
| Item | Part number/Codice | Description | Descrizione |



la marzocco

handmade in florence

WALLY MILK ASSEMBLY





la marzocco

handmade in florence

WALLY MILK ASSEMBLY

Wally Milk

| | | | |
|----|------------|--------------------------------------|--|
| 1 | I.1.054 | SCREW M3X5 PHILLIPS ROUND PAN S/S A2 | VITE M3X5 TCB A CROCE INOX A2 |
| 2 | C.1.551 | BRACKET POWER SUPPLY WALLY | STAFFA ALIMENTATORE WALLY |
| 3 | I.6.012 | STANDOFF HEX THREADED | DISTANZIALE ESAGONALE FILETTATO |
| 4 | E.2.075 | POWER SUPPLY 24V 130W ACD | ALIMENTATORE 24V 130W ACD |
| 5 | DADOINOXM3 | NUT M3 H2 WR5,5 S/S A2 | DADO M3 H2 CH5,5 INOX A2 |
| 6 | I.1.127 | SCREW SHOULDER M3x10 - DIN 923 | VITE A COLLETTO M3x10 - DIN 923 |
| 7 | C.1.550 | COVER BACK WALLY | COVER POSTERIORE WALLY |
| 8 | VITE3X8 | SCREW M3X8 PHILLIPS ROUND-PAN S/S A2 | VITE M3X8 TCB A CROCE INOX A2 |
| 9 | E.4.304 | WIRING FAN 12V CABLE 70mm | CABLAGGIO VENTOLA 12V CAVO 70mm |
| 10 | C.1.562 | FRAME BACK POLISHED WALLY | CORNICE POSTERIORE LUCIDA WALLY |
| 11 | D.4.045 | LOGO WALLY | LOGO WALLY |
| 12 | C.1.559 | BRACKET ELECTRONIC BOARD WALLY | STAFFA SCHEDA ELETTRONICA WALLY |
| 13 | I.2.006 | SPACER M3X8-M3X5 WR5 BRASS TREATED | DISTANZIALE M3X8-M3X5 CH5 OTTONE TR. |
| 14 | E.1.073 | WALLY MILK BOARD | SCHEDA WALLY MILK |
| 15 | F.1.186 | COVER FRONT WALLY | COVER ANTERIORE WALLY |
| 16 | E.2.094 | PUSH BUTTON SWITCH M22x1 | INTERRUTTORE ANTIVANDALO M22x1 |
| 17 | E.2.062 | ENCODER LEVA | ENCODER LEVA |
| 18 | C.1.547 | BRACKET FOR ENCODER | STAFFA PER ENCODER |
| 19 | I.1.141 | SOCKET GRUB SCREW M4X3 S/S | GRANO M4X3 A BRUGOLA INOX |
| 20 | F.3.141 | BODY SPLINED ENCODER HANDLE WALLY | CORPO CALETTATO MANOPOLA ENCODER WALLY |
| 21 | F.3.143 | BODY FOR ENCODER BUTTON WALLY | CORPO PER PULSANTE ENCODER WALLY |
| 22 | F.3.140 | BODY ROTATING FOR ENCODER WALLY | CORPO ROTANTE PER ENCODER WALLY |
| 23 | C.1.548 | SHEET METAL SUBSTAINING SCREEN WALLY | LAMIERA DI SOSTEGNO SCHERMO WALLY |
| 24 | F.1.191 | GLASS HMI WALLY | VETRO HMI WALLY |
| 25 | C.1.563 | FRAME FRONT POLISHED WALLY | CORNICE FRONTALE LUCIDA WALLY |
| 26 | E.4.201 | WIFI BOARD HOME MACHINE | SCHEDA WIFI HOME MACHINE |
| 27 | E.1.042.01 | DISPLAY GRAPHIC W/ 2 BOARDS | DISPLAY GRAFICO C/ 2 SCHEDE |
| 28 | E.1.077 | TEMPERATURE INFRARED W/ WIRINGS | SENSORE DI TEMPERATURA CABLATO |

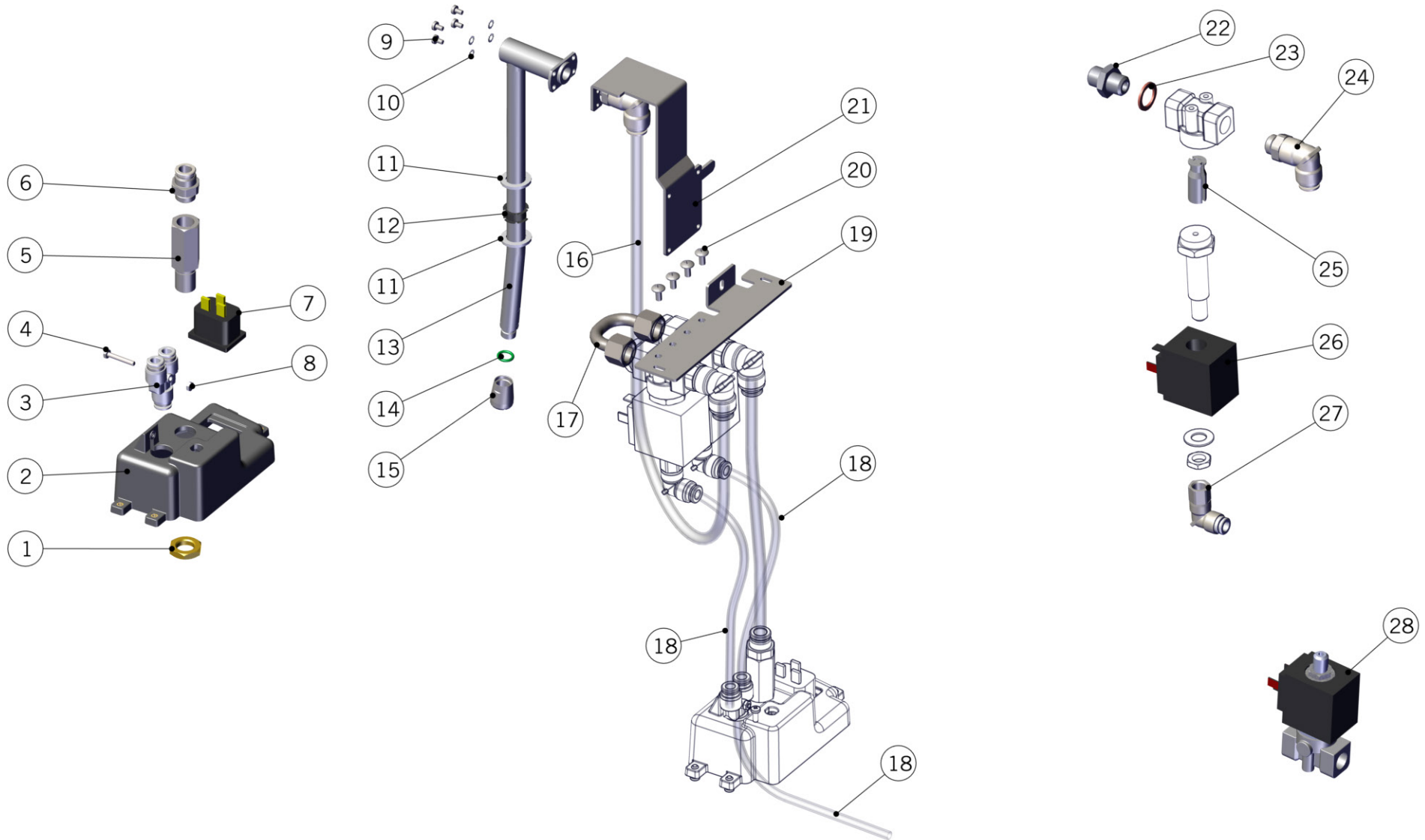
Item

Part number/Codice

Description

Descrizione

WALLY MILK ASSEMBLY





la marzocco

handmade in florence

WALLY MILK ASSEMBLY

Wally Milk

| | | | |
|----|------------|---|---------------------------------------|
| 1 | L146 | NUT G1/4 H4,5 WR19 BRASS | DADO G1/4 H4,5 CH19 OTTONE |
| 2 | F.1.187 | COVER BASE WALLY | COPERCHIO BASE WALLY |
| 3 | A.7.017 | FITTING PUSH-IN Y 6-6-6 PPSU | RACCORDO RAPIDO Y 6-6-6 PPSU |
| 4 | I.1.055 | SCREW M3X20 HEX HEAD S/S A2 | VITE M3X20 TE INOX A2 |
| 5 | A.5.146 | FITTING G1/4M-G1/4F WR17 H51 S/S | RACCORDO G1/4M-G1/4F CH17 H51 INOX |
| 6 | A.5.147 | FITTING PUSH-IN STRAIGHT 8-G1/4M S/S | RACCORDO RAPIDO DRITTO 8-G1/4M INOX |
| 7 | E.4.246 | PLUG PANEL 10A 250V | SPINA DA PANNELLO 10A 250V |
| 8 | DADOINOXM3 | NUT M3 H2 WR5,5 S/S A2 | DADO M3 H2 CH5,5 INOX A2 |
| 9 | I.1.054 | SCREW M3X5 PHILLIPS ROUND PAN S/S A2 | VITE M3X5 TCB A CROCE INOX A2 |
| 10 | I.3.007 | TOOTH LOCK WASHER 3,4X6X0,5 GALVANIZED | ROND.DENTATA 3,4X6X0,5 ZINCATA |
| 11 | I.6.019 | WASHER WAND COVERING | RONDELLA DI COPERTURA LANCIA |
| 12 | F.1.194 | CLIP BEARING Ø12-H6 | CUSCINETTO A CLIP Ø12-H6 |
| 13 | T.2.015 | STEAM WAND PERFORMANCE TOUCH WALLY | LANCIA VAPORE PERFORMANCE TOUCH WALLY |
| 14 | H.1.027 | O-RING 1,78x7,65 VITON 70 ShA | O-RING 1,78x7,65 VITON 70 ShA |
| 15 | A.5.148 | TORNADO TIP 60° | DIFFUSORE TORNADO 60° |
| 16 | T.3.011 | PFA TUBE 8MM – 6MM | TUBO PFA 8MM – 6MM |
| 17 | T.1.282 | TUBE WATER SENSOR - INLET FITTING | TUBO EV1 - EV2 WALLY |
| 18 | T.3.007 | PFA TUBE 6mm - 4mm | TUBO PFA 6mm - 4mm |
| 19 | C.1.560 | CROSSBAR BLOCKING | TRAVERSA DI BLOCCAGGIO |
| 20 | I.1.006 | SCREW M4X8 PHILLIPS BUTTON HEAD S/S A2 | VITE M4X8 TPB A CROCE INOX A2 |
| 21 | C.1.558 | BRACKET STEAM WAND WALLY | STAFFA LANCIA VAPORE WALLY |
| 22 | L037/3.01 | NIPPLE G1/4M-G1/4M WR19 H25.5 BRASS TR. | NIPPLO G1/4M-G1/4M CH19 H25.5 OT. TR. |
| 23 | L100/1A | WASHER 13,5X19X1,5 COPPER | RONDELLA 13,5X19X1,5 RAME |
| 24 | A.7.018 | FITTING PUSH-IN 90° 8-G1/4M PPSU | RACCORDO RAPIDO 90° 8-G1/4M PPSU |
| 25 | L100/H | PLUNGER SOLENOID VALVE 3 WAY VITON | NUCLEO ELETTROVALVOLA 3 VIE VITON |
| 26 | B.2.026 | COIL SOLENOID VALVE 24 | BOBINA PER EV 24V |
| 27 | A.7.015 | FITTING PUSH-IN 90° 6-G1/8F PPSU | RACCORDO RAPIDO 90° 6-G1/8F PPSU |
| 28 | B.2.036 | SOLENOID VALVE D.5 MM 3 WAY 24V | ELETTROVALVOLA D.5 MM 3 VIE 24V |

Item Part number/Codice

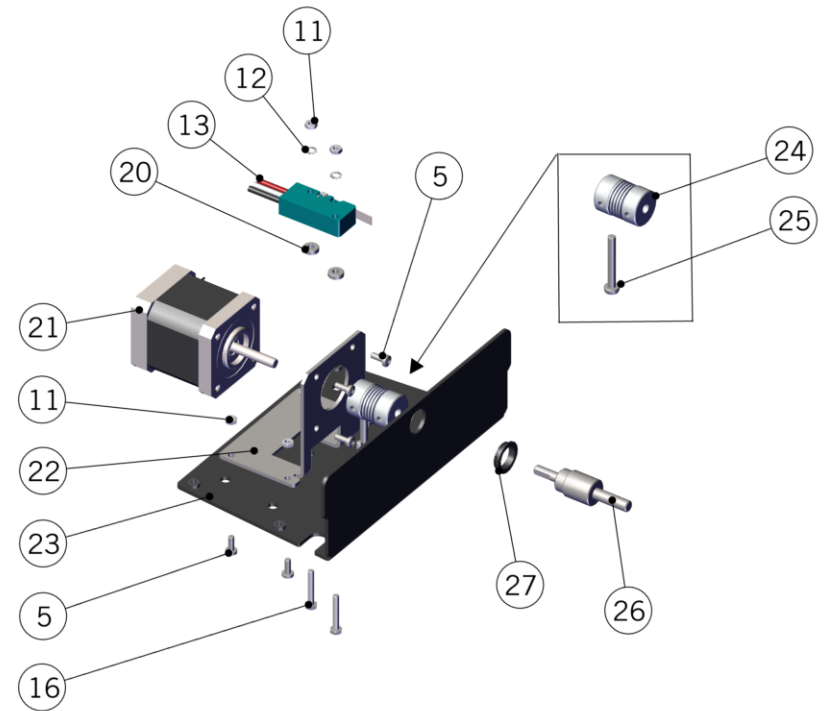
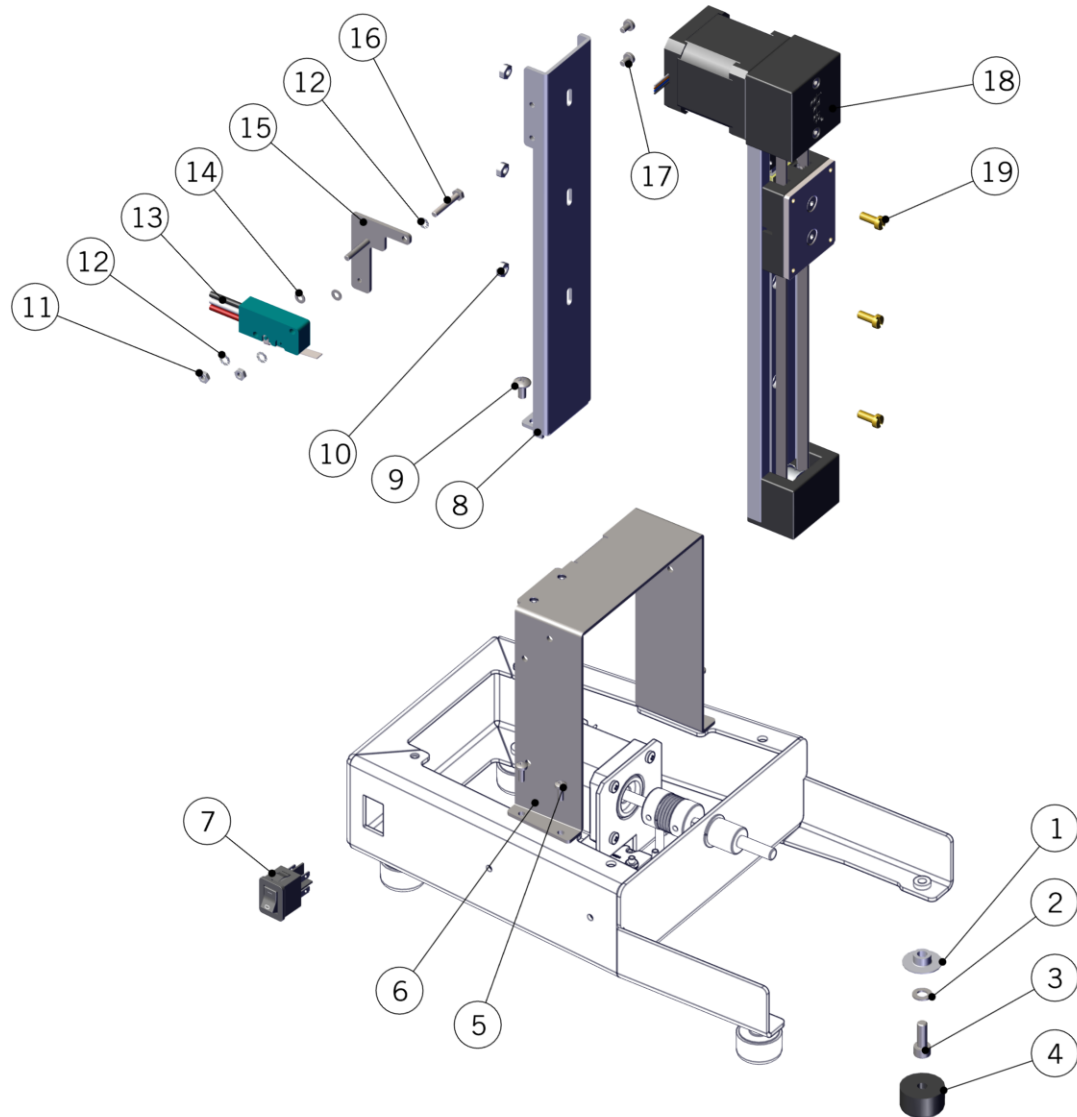
Description

Descrizione



la marzocco
handmade in florence

WALLY MILK ASSEMBLY





la marzocco

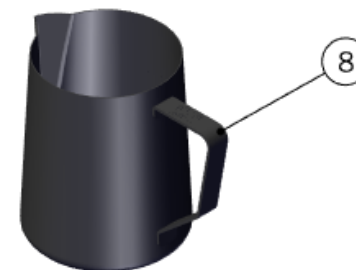
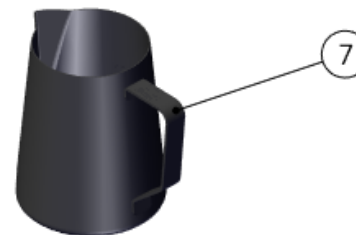
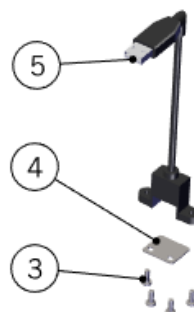
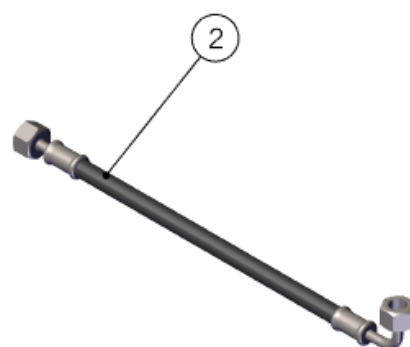
handmade in florence

WALLY MILK ASSEMBLY

Wally Milk

| | | | |
|-------------|---------------------------|--|--|
| 1 | I.1.158 | SPACER FOR WALLY FEET | DISTANZIALI PER PIEDINI WALLY |
| 2 | I.1.039 | WASHER 5,4X10X1 S/S A2 | RONDELLA 5,4X10X1 INOX A2 |
| 3 | I.1.011 | SCREW M5X14 SOCKET CAP S/S A2 | VITE M5X14 TC A BRUGOLA INOX A2 |
| 4 | F.2.060 | FOOT Ø22,5 H10,5 | PIEDINO Ø22,5 H10,5 |
| 5 | VITE3X8 | SCREW M3X8 PHILLIPS ROUND-PAN S/S A2 | VITE M3X8 TCB A CROCE INOX A2 |
| 6 | C.1.544 | BRACKET FOR LINEAR GUIDE WITH FASTENER | STAFFA PER GUIDA LINEARE CON FASTENER |
| 7 | E.2.095 | SWITCH ROCKER DOUBLE-POLE 10A | INTERRUTTORE A TASTO BIPOLARE 10A |
| 8 | C.1.553 | UPRIGHT GUIDE FIXING | MONTANTE FISSAGGIO GUIDA |
| 9 | I.1.006 | SCREW M4X8 PHILLIPS BUTTON HEAD S/S A2 | VITE M4X8 TPB A CROCE INOX A2 |
| 10 | DADOINOXM4 | NUT M4 H3 WR7 S/S A2 | DADO M4 H3 CH7 INOX A2 |
| 11 | DADOINOXM3 | NUT M3 H2 WR5,5 S/S A2 | DADO M3 H2 CH5,5 INOX A2 |
| 12 | I.3.007 | TOOTH LOCK WASHER 3,4X6X0,5 GALVANIZED | ROND.DENTATA 3,4X6X0,5 ZINCATA |
| 13 | E.2.011 | MICROSWITCH | MICROINTERRUTTORE |
| 14 | RONDINOXGS/3 | WASHER 3X6X0,5 S/S A2 | RONDELLA 3X6X0,5 INOX A2 |
| 15 | C.1.554 | BRACKET MICROSWITCH | STAFFA MICROSWITCH |
| 16 | I.1.055 | SCREW M3X20 HEX HEAD S/S A2 | VITE M3X20 TE INOX A2 |
| 17 | I.1.054 | SCREW M3X5 PHILLIPS ROUND PAN S/S A2 | VITE M3X5 TCB A CROCE INOX A2 |
| 18 | E.7.016 | LINEAR GUIDE 130 MM | GUIDA LINEARE 130 MM |
| 19 | VITE4X10 | SCREW M4X10 CHEESE BRASS | VITE M4X10 TC A TAGLIO OTTONE |
| 20 | I.3.004 | SPACER 3,5X8X2,5 AL | DISTANZIALE 3,5X8X2,5 ALLUMINIO |
| 21 | E.7.015 | STEPPER MOTOR NEMA 17 | MOTORE PASSO PASSO NEMA 17 |
| 22 | C.1.545 | BRACKET MOTOR WALLY | STAFFA MOTORE WALLY |
| 23 | C.1.556 | BASE FOR MOTOR WALLY PAINTED | BASE PER MOTORE WALLY VERNICIATA |
| 24 | C.1.549 | FLEXIBLE SHAFT COUPLING JOINT Ø5-Ø5 | GIUNTO DI TRASMISSIONE A SOFFIETTO Ø5-Ø5 |
| 25 | I.1.068 | SCREW M4X30 PHILLIPS ROUND-PAN S/S A2 | VITE M4X30 TCB A CROCE INOX A2 |
| 26 | F.3.142 | SHAFT TRANSMISSION WALLY | ALBERO DI TRASMISSIONE WALLY |
| 27 | F.1.190 | CLIP METAL SHEET Ø12-H2 | CLIP PER LAMIERA Ø12-H2 |
| Item | Part number/Codice | Description | Descrizione |

ACCESSORIES



9
KIT FOR INTERNAL CONNECTION
TO ESPRESSO MACHINE



la marzocco

handmade in florence

ACCESSORIES

Accessori

| | | | |
|-------------|---------------------------|--|---|
| 1 | E.4.225 | POWER CORD 16A SCHUKO PLUG | CAVO ALIMENTAZIONE 16A SPINA SHUKO |
| | E.4.244 | POWER CORD 3XAWG18 USA PLUG | CAVO ALIMENTAZIONE 3XAWG18 SPINA USA |
| | E.4.308 | POWER CORD 3X1 UK PLUG | CAVO ALIMENTAZIONE 3X1 SPINA UK |
| | E.4.309 | POWER CORD 3X1 AUS PLUG | CAVO ALIMENTAZIONE 3X1 SPINA AUS |
| | E.4.310 | POWER CORD 3X1 CHINA PLUG | CAVO ALIMENTAZIONE 3X1 SPINA CHINA |
| | E.4.314 | POWER CORD 3X1 BRASIL PLUG | CAVO ALIMENTAZIONE 3X1 SPINA BRASILE |
| | E.4.315 | POWER CORD 3X1 SWISS PLUG | CAVO ALIMENTAZIONE 3X1 SPINA SVIZZERA |
| | E.4.316 | POWER CORD 3X1 KOREA PLUG | CAVO ALIMENTAZIONE 3X1 SPINA KOREA |
| 2 | T.2.134 | TUBE FLEXIBLE G1/4 L1000 HIGH TEMP. | TUBO FLESSIBILE G1/4 L1000 ALTE TEMP. |
| 3 | VITE3X8 | SCREW M3X8 PHILLIPS ROUND-PAN S/S A2 | VITE M3X8 TCB A CROCE INOX A2 |
| 4 | C.1.555 | SHEET METAL USB COVER | LAMIERA DI COPERTURA USB |
| 5 | E.2.040 | USB CABLE LINEA PB / STRADA EP | PROLUNGA USB PER LINEA PB / STRADA EP |
| 6 | F.3.146 | PITCHER 350 ML / 12 OZ TEFLON COATED | BRICCO 350 ML / 12 OZ TEFLONATO NERO |
| 7 | F.3.147 | PITCHER 600 ML / 20 OZ TEFLON COATED | BRICCO 600 ML / 20 OZ TEFLONATO NERO |
| 8 | F.3.148 | PITCHER 900 ML / 32 OZ TEFLON COATED | BRICCO 900 ML / 32 OZ TEFLONATO NERO |
| 9 | 1012 | KIT CONNECTION WALLY - GB5XS DX | KIT CONNESS. WALLY - GB5XS DX |
| | 1013 | KIT CONNECTION WALLY - GB5XS SX | KIT CONNESS. WALLY - GB5XS SX |
| | 1014 | KIT CONNECTION WALLY - LINEA PB/ KB90 DX | KIT CONNESS. WALLY - LINEA PB / KB90 DX |
| | 1015 | KIT CONNECTION WALLY - LINEA PB/ KB90 SX | KIT CONNESS. WALLY - LINEA PB / KB90 SX |
| | 1016 | KIT CONNECTION WALLY - LINEA CLASSIC DX | KIT CONNESS. WALLY - LINEA CLASSICA DX |
| | 1017 | KIT CONNECTION WALLY - LINEA CLASSIC SX | KIT CONNESS. WALLY - LINEA CLASSICA SX |
| | 1023 | KIT CONNECTION WALLY - MODBAR STEAM | KIT CONNESS. WALLY - MODBAR STEAM |
| | 1025 | KIT CONNECTION WALLY - STRADA AV | KIT CONNESS. WALLY - STRADA AV |
| Item | Part number/Codice | Description | Descrizione |

LA MARZOCCO SRL
Via La Torre, 14/H
Localita' La Torre
50038 Scarperia e San Piero
(Florence) - ITALY
T. +39 055 849 191
F. +39 055 849 1990
info@lamarzocco.com
www.lamarzocco.com